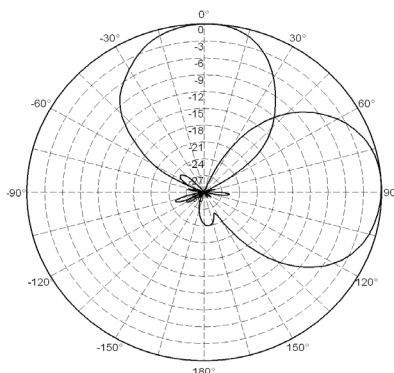


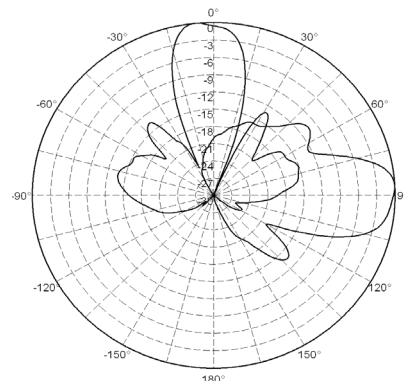
Dual Band 11/13.5 dBi Outdoor MIMO Panel Antenna With RPSMA Plug Connectors

TerraWave's 2.4/5 GHz multiple-input and multiple-output (MIMO) directional panel is a rugged, high performance antenna. The antenna features three integrated 2.4 GHz and 5 GHz dual band antennas in one radome, making it an ideal and aesthetically pleasing antenna to support outdoor applications in next generation IEEE 802.11n wireless communication systems. Includes RPSMA Plug connectors with a 36" pigtail. The antenna comes with the TerraWave Universal Articulating Mount (TW-ART-MOUNT) as well as an L-bracket for multiple mounting options. This antenna is also DC Grounded. For questions and to purchase product, contact a wireless networking solutions sales engineer at 210-375-8482, 800-851-4965 or sales@terrawave.com.

Specifications	
Model	M6110135MP1D3620
Frequency Range (MHz)	2400~2500 / 5125~5875
Bandwidth (MHz)	100 / 750
Gain (dBi)	11 / 13.5
Vertical Beamwidth (°)	20
Horizontal Beamwidth (°)	45
VSWR	≤ 2
Front-to-back Ratio (dB)	≥ 25
Nominal Impedance (Ω)	50
Polarization	Linear, 2 Vertical and 1 Horizontal
Max Power (W)	10
Connector	RPSMA Plug with 36" pigtail
Dimensions (in)	13.78 x 13.78 x .98
Mast Mount Diameter (in)	1 3/8" - 2 1/8"
Weight (lbs)	3.6
Rated Wind Velocity	135 mph
Operating Temperature Range	-40°F to +158°F



E/H-plane Radiation Pattern
2450 MHz

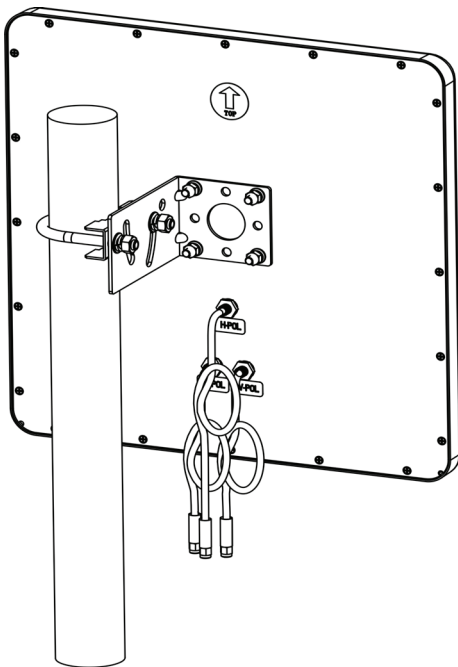


E/H-plane Radiation Pattern
5500 MHz

Dual Band 11/13.5 dBi Outdoor MIMO Panel Antenna With RPSMA Plug Connectors

Mounting Bracket Information for M6110135MP1D3620

L-Bracket Installation Instructions:



- Mount the antenna to the mast using the supplied U-bolt and hex nuts.
- Adjust the antenna angle until signal reception is optimized.
- Tighten all screws and seal the connectors with weatherproof tape.

Note: Mast mount diameter: ≤ 2 "

Universal Articulating Mount:

