

P25

Light Duty Tri-Band Fixed Site Antenna

30/04/2014 V2

BSV-155-U1-S5

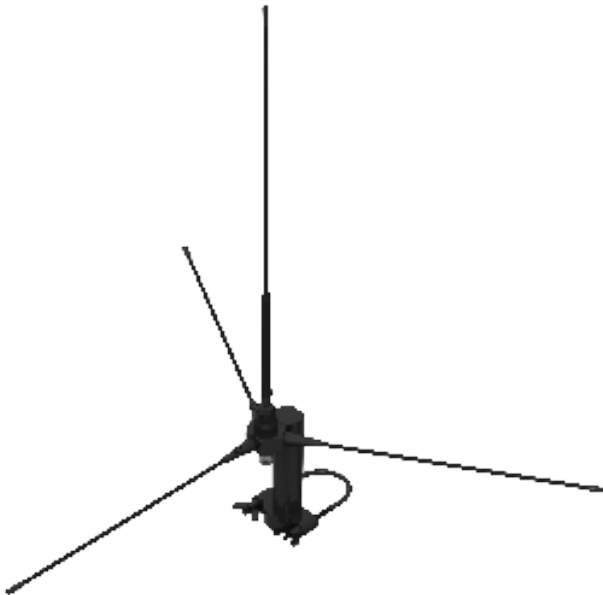
Tri Band Performance

Designed for mast mounting

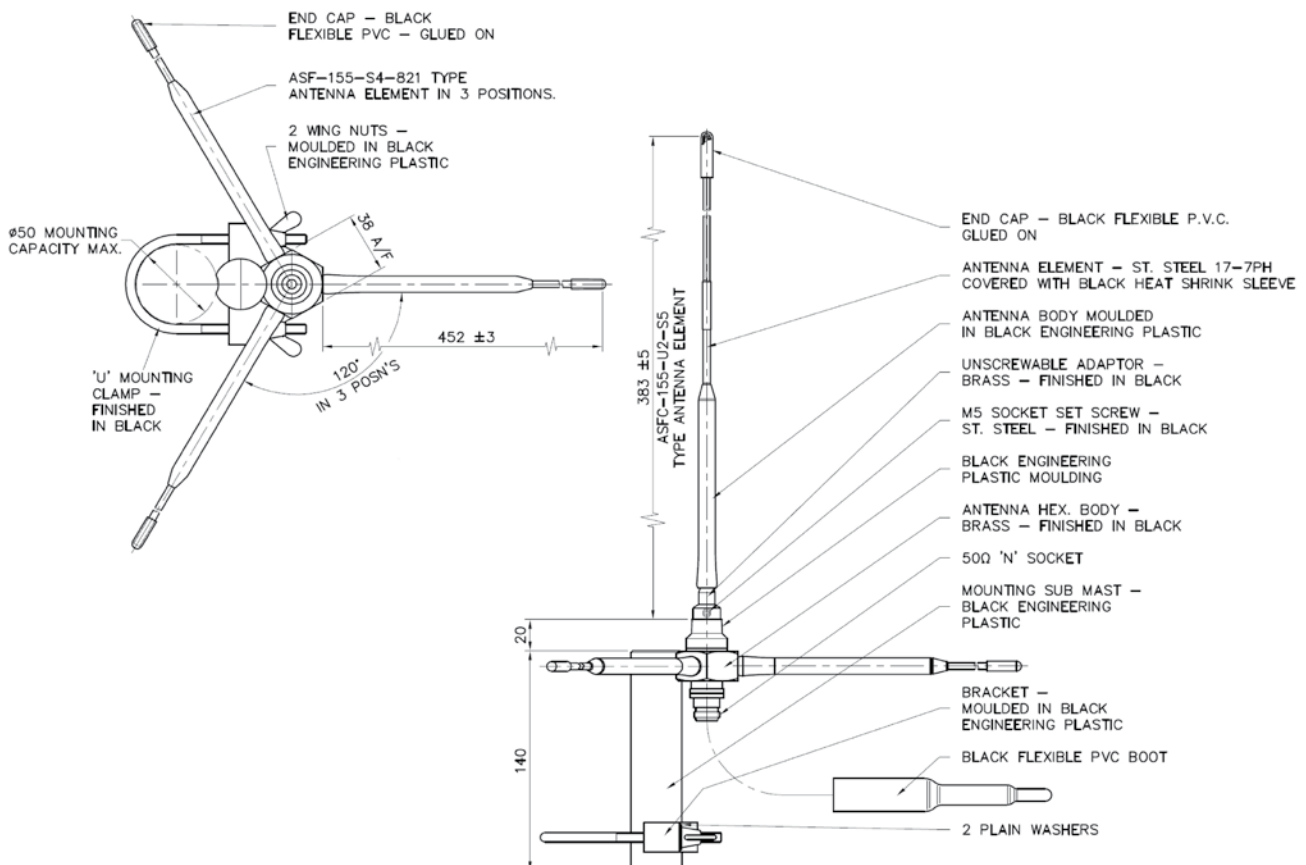
Ideal for fixed radio terminal applications

The BSV-155-U1-S5 covers VHF 150-160MHz, UHF 410-470MHz and 800MHz bands. This ground plane independent light duty basestation antenna is ideal for mast mounted fixed radio terminal, dispatch, network inflight and repeater applications.

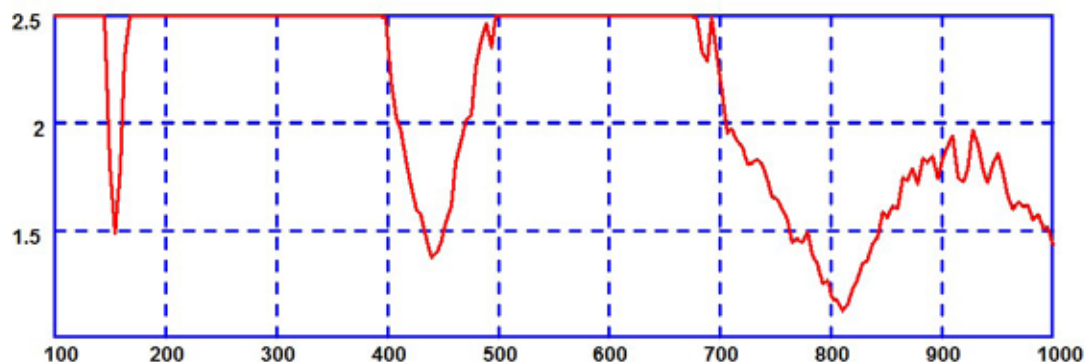
The antenna assembly features lightweight and flexible ground plane radials and a flexible over-moulded stainless steel whip. Terminated with an N female type connector the antenna is suitable for applications up to 60 Watts.



Technical Drawing

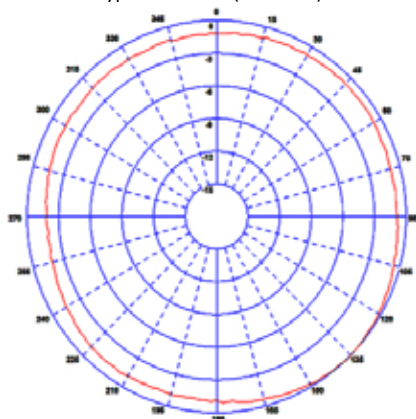


Typical VSWR*

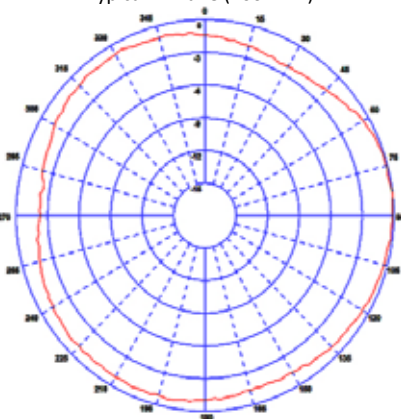


*Measured in freespace with 5m (16') CS23(RG58 c/u) of cable

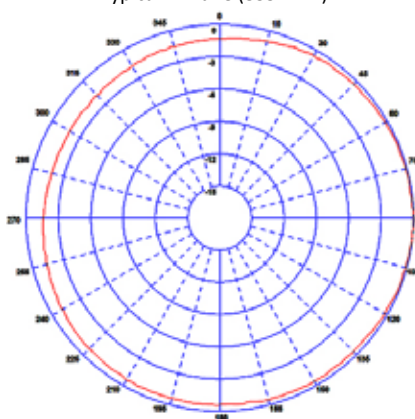
Typical H-Plane (155 MHz)



Typical H-Plane (460 MHz)



Typical H-Plane (835 MHz)



Part No.		BSV-155-U1-S5
Electrical Data		
Frequency Range (MHz)	150-160 & 410-470 & 806-870	
VSWR	< 2.5:1 @ VHF, 2:1 @ UHF & 800	
Peak Gain	155MHz	1dBi
	460MHz	2dBi
	800MHz	2dBi
Polarisation	Vertical	
Pattern	Omni-directional	
Impedance	50Ω	
Max Input Power	60	
Mechanical Data		
Dimensions (mm)	Height	543 (21.3")
	Diameter (radials)	452 (17.8")
Operating Temp (°C)	-30°/+80°C (-22°/+176°F)	
Material	TPU, stainless steel	
Colour	Black	
Mounting Data		
Max mast diameter (mm)	50 (1.97")	
Termination	N Female	



Panorama Antennas Ltd
Frogmore, London, SW18 1HF, United Kingdom

T: +44 (0)20 8877 4444
F: +44 (0)20 8877 4477
E: sales@panorama-antennas.com
www.panorama-antennas.com

Waiver: The data given above is indicative of the performance of the product/s under particular conditions and does not imply a guarantee of performance or a warranty of fitness for any particular purpose. These specifications are subject to change without notice.

Copyright © Panorama Antennas Ltd. All rights reserved.