



ERICSSON



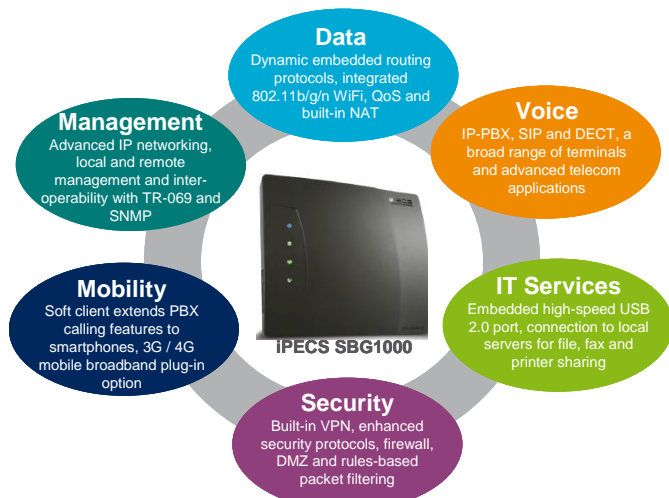
Ericsson-LG SBG1000

Business Communications Services Platform

The Ericsson-LG SBG1000 is the ideal converged business communication services platform for small businesses, multi-site and branch office environments. With voice, data and IT services built-in, the SBG1000 is a unique platform that offers the best price-to-feature ratio, all in a single appliance. Enhanced security, VPN and mobility features allow businesses to confidently extend and manage access and services to remote and mobile workers in a secure environment.

Delivering Smart Communications to Small Businesses

The SBG-1000 is an all-in-one communication platform for voice, data, security and IT services, optimized for small businesses with limited budgets and resources. It delivers the advanced communications capabilities of the larger enterprise yielding smart business results. By combining voice and data networks with all applications functions in a single unit, the SGB1000 maximizes cost efficiencies. It also provides IT services including printer sharing, file sharing, etc. through USB port. Using the Communicator soft client, the SBG-1000 allows greater mobility for anywhere anytime connectivity for mobile workers. The all-in-one communication solution streamlines deployment and management of telecom and IT services, with layers of security that meet the diverse needs of the evolving small business. The SBG-1000 is the right answer to today's converged communication needs, and with its high-performance IP based platform, is ready to integrate with future IP applications and technologies.



SBG1000 is a truly converged business communications services platform in a single appliance

SBG1000 Highlights

Smart, Simple, Secure and Mobile

- All-in-one data, voice, security and IT services for SMBs, multi-location and branch offices
- Full-featured IP-PBX and standard SIP proxy for enhanced IP telephony services
- Advanced 802.11b/g/n WiFi with MIMO and DECT for anywhere, anytime connectivity
- Comprehensive data networking with embedded routing protocols, enhanced security, Gigabit WAN, 8 port FE LAN ports with 4 PoE and QoS
- Embedded security methodologies to protect networks using SPI firewall, IPSec VPN, authentication methods, access controls and rate limiting
- Embedded file server and USB I/F to connect external USB storage device and built-in print and fax servers to share office resources
- Local and remote management through an intuitive web-based GUI and interoperable TR-069 and SNMP-based network management applications



IP-PBX, SIP and DECT, a broad range of terminals, and advanced telecom applications



Dynamic embedded routing protocols, integrated 802.11b/g/n WiFi, QoS and built-in NAT



Built-in VPN, enhanced security protocols, firewall, DMZ and rules-based packet filtering



Embedded high-speed USB 2.0 port for IT services, connection to local servers for file, fax and printer sharing

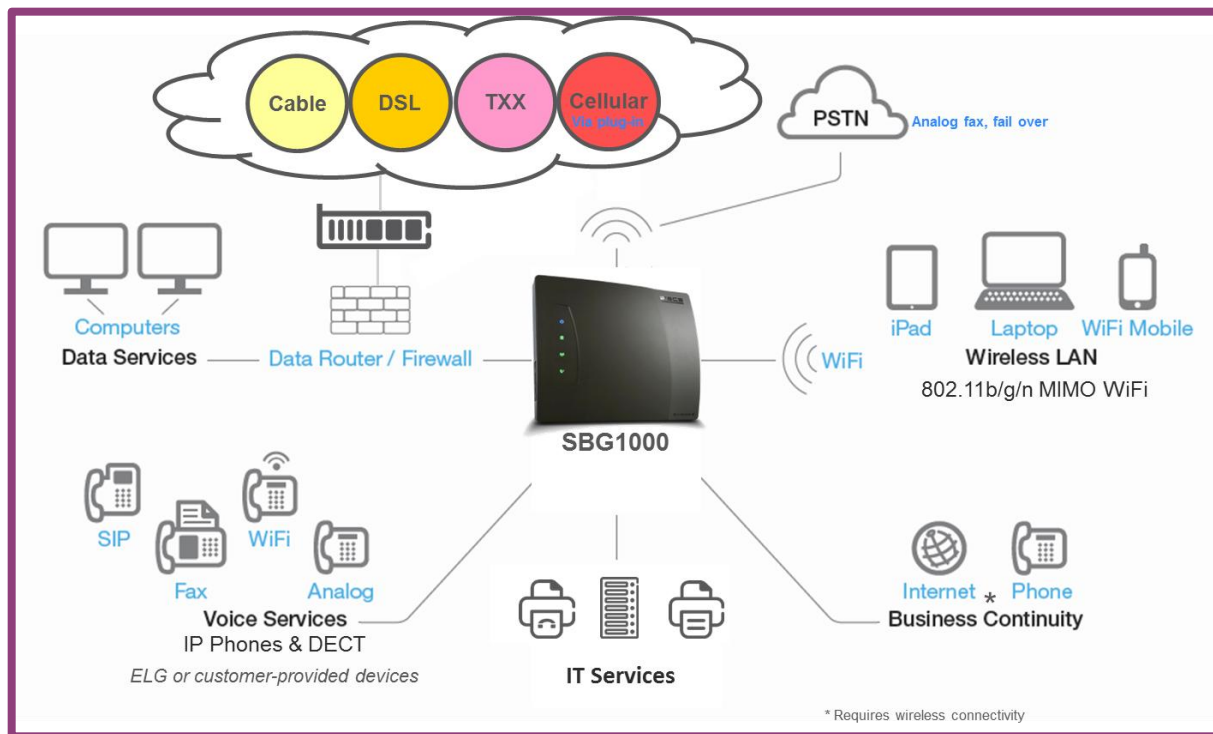


Soft client makes smartphones and extension of the PBX, 3G / 4G mobile broadband plug-in option

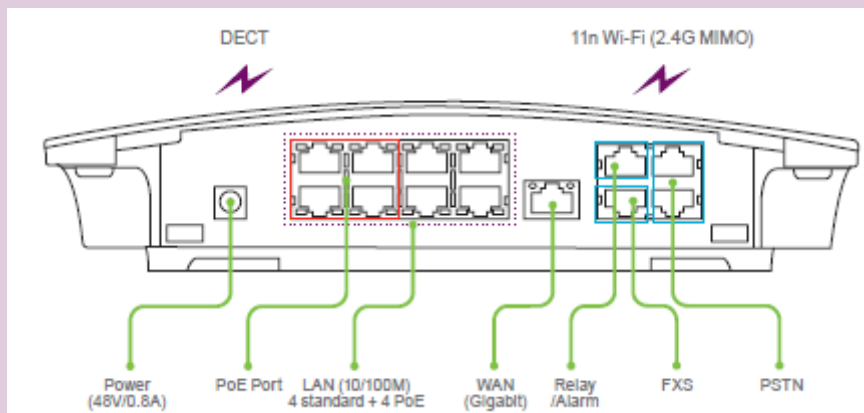


Advanced Qsig and IP networking, local and remote management and inter-operability with TR-069 and SNMP

Single-Office Configuration Diagram



Port Configurations



WAN

- 1-port 10/100/1000BASE-T
- EEE(Energy Efficient Ethernet) ready
- Auto-sensing, Auto-negotiation

LAN

- 8-port 10/100BASE-TX
- Auto-sensing, Auto-negotiation

FXO

- Loop start CO, caller identification detection

FXS

- Loop distance: 1.5Km with AWG24
- Caller ID (CID): FSK (ITU-TV.23 or Bell 202) or DTMF (ITU-TQ.23)
- Ring capacity / frequency: 60Vrms / 25Hz

Power over Ethernet

- Port 1 ~ Port 4
- 802.3af (total POE budget: 20 watts)

USB

- Interface mode: USB V1.1, V2.0 host mode

Trunk

- 6 SIP trunks + 4 PSTN trunks
 - 4 SIP trunks if DECT in use
 - PSTN interface option (1CO, 2CO, 4CO, 1BRI, 2BRI)
- *Only one option can be mounted on SBG1000 either in the factory or locally

Extension

- Max 24 extensions
 - 23 IP phones, 6 DECT phones
 - 1 FXS port for SLT or fax

Technical Specifications

AC / DC Power Adapter

- 100~ 240 V AC @ 50/60Hz
- DC48V, 1A

Physical Dimensions & Weight

- Width: 278mm
- Depth: 233mm
- Height: 34mm
- Weight: 0.86kg

Firewall

- General security policy, access control
- Web site restriction, port forwarding, port triggering
- NAT / NAPT, DMZ host, rule-based packet filtering
- Connection information, security

Security

- Virtual Private Network (IPSec, PPTP, L2TP)
- Remote administration access control
- Digital certificate management

Quality of Service (QoS)

- General QoS profile, bandwidth restriction
- Rule-based traffic priority and traffic shaping
- DSCP / 802.1p / priority queue configuration
- Connection utilization and statistics

Routing

- Static routing (routing table management)
- Dynamic routing (RIP v1/v2)
- NAT / NAPT, IGMP / Multi-cast

L2 Switching

- 8-port 10 / 100 BASE-TX with 4 built-in PoE (total PoE budget: 20 Watts)
- STP / RSTP, VLAN, LAN bridge
- Broadcast and multi-cast storm control, loop detect

Wireless LAN

- 802.11 b/g/n (2.4 GHz)
- WEP, WPA, WPA2, WPA / WPA2 and web authentication
- 802.1x for enterprise
- Multiple SSIDs (virtual Aps), MAC filtering
- WPS (WiFi protected set up) support
- Wireless multi-media (WMM)
- Channel width and frequency selection

IP-PBX / SIP

- Ericsson-LG advanced IP-PBX features (call transfer, call forward, call park, call pick up, call waiting camp on, CO queuing, speed dial, station groups, mobile extension, 3-party voice conference, IP fax relay [T.38])
- SIP trunk – 4 trunks with DECT, 6 trunks w/o DECT

IP-PBX SIP (cont.)

- CO trunk – only one option can be mounted on the SBG1000 either in the factory or locally (1CO, 2CO, 4CO, 1 BRI or 2BRI)
- Extension – 23 IP extensions – 6 Ericsson-LG proprietary DECT terminals
- Built-in SIP proxy, registrar, user agent, failover to PSTN

Administration

- Web-based administration (HTTP / HTTPS)
- CLI (telnet and telnet over SSH)
- User management (role and permissions)
- Date and time (NTP / TOD with daylight saving option)
- Smart installation wizard

Services

- File server (disk management, back up and restore)
- Printer server (LPD, IPP, Microsoft shared printing support)
- DHCP / DNS server, dynamic DNS, UPnP

Management

- Device information and map view, SNMP, TR-069
- Network connection management, monitoring and diagnostics
- Email notification and syslog support, system log