

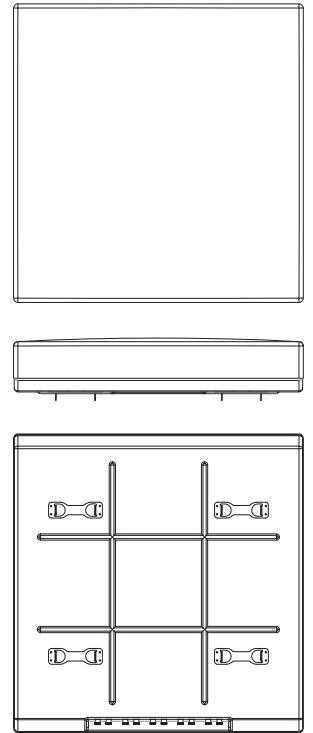
PRODUCT SPECIFICATIONS

5UPX0805F

698 - 894 MHz Multi-Beam Panel Antenna

RF SPECIFICATIONS

Frequency	698 - 894 MHz
Gain	20 dBi
Return Loss	> 15 dB
Polarization	Dual Slant $\pm 45^\circ$
Horizontal Beamwidth	5 x 13.5°
Vertical Beamwidth	13.6°
Electrical Downtilt	Fixed 6°
Beam Crossover	7 dB typical
Upper Sidelobe Level	< -18 dB
Front to Back Ratio	> 25 dB typical
Isolation Port to Port - Polarization	> 25 dB
Isolation Port to Port - Beam	> 16 dB
Power Rating	300W per port
Intermodulation	< -150 dBc (2 x 43 dBm)
Impedance	50 ohm
Lightning Protection	DC grounded
Connector Type	7-16 DIN female, 10 ports



MECHANICAL DATA

Antenna Dimensions	1615 x 1570 x 335 mm
Packed Dimensions	1780 x 1695 x 445 mm
Antenna Weight	85 kg
Radome Material	Polyester Fibreglass

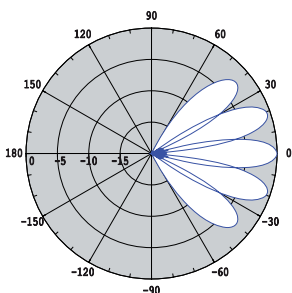
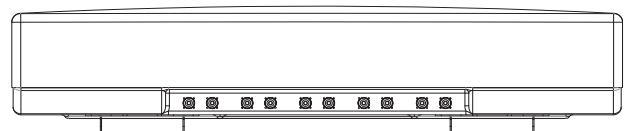
MOUNTING OPTIONS

2 x T-041-GL-E	Adjustable Clamps
2 x F-042-GL-E	Fixed Clamps

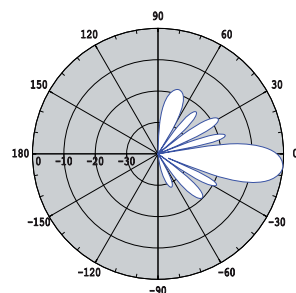
MAXIMUM ENVIRONMENTAL RATINGS

Humidity	95% RH @ +30°C
Lateral Loading (Front)	3.03 kN @ 140km/h
Lateral Loading (Rear)	3.03 kN @ 140km/h
Rain	140 mm per hour
Rated Wind Velocity	140km/h
Temperature	-40°C to +70°C

BASE VIEW CONNECTOR LAYOUT



Azimuth Superimposed



Elevation

Last Modified: 29/09/2011

W: www.argusantennas.com E: info@argusantennas.com

Argus Technologies is continually improving products. Specifications may change at any time without notice.

