

## LinkUPS Battery Test Remote Monitor BTRM Series

LinkUPS™ by Ventev makes remote monitoring reliable while delivering you the critical information you demand. Avoid the cost of not having critical information and the ability to control catastrophic situations.

LinkUPS Battery Management System reports via Ethernet or Serial the battery capacity to ensure the health of your system. Additionally, the DIN mountable device provides alarm notification and event logging to provide you the information you demand when you need it.

### Simple

- Battery capacity can be routinely checked on a customer defined schedule, reporting battery status via an Ethernet connection.

### Fast

- Optional mounting configurations to DIN rail or backplane make installation Plug & Play.

### Reliable

- Secure upgrades to firmware over an Ethernet link provide the most current capabilities.
- Enhanced protocols for specialized I/O control can be remotely added.

### Available Models

- BTRM-100 for remote monitoring includes voltage, current and temperature data.
- BTRM-200 includes remote monitoring, battery capacity test data and auto-generator start.

### Application List

- Remote Monitoring & Control
- AMI/AMR
- Smartgrid
- Railroad Communication & Signaling
- Broadband
- Security & Surveillance

### Features

- A complete monitoring system for DC systems up to 15A DC
- Real-time battery voltage/current readout
- Software supports single or multi-unit monitoring support
- Full remote configuration support
- Alarm notification
- Alarm and Event logging
- 9 to 32 VDC

### Communication Options

- Standard communications via SNMP, TCP-IP or Serial.
- MODBUS optional



<b>DC Systems up to 15A DC</b>	
System Voltage	9V to 32V Optional: 10V to 70V
Load Current	0 to 15A
Battery Current	0 to 15A
Local Temperature (Sensor range)	-40°C to +150°C
Operating Temperature	-40°C to +60°C
Battery Voltage/Current readout	0 to 32 volts with 4.5 digits of resolution/ 0 to 15 amps with 10ma resolution
Digital I/O Connections	Relay outputs: 2 normally open contacts User configurable to act on system parameters, voltage, current, time or alarm trigger Inputs: 3 digital inputs - active ON with 5 to 15 volts. Can be used to generate alarms.

## Software Support

Unit	Unit IP	4510	192.168.0.210	Unit ID	Event Date	Event Message
4510	192.168.0.210	4510	192.168.0.210	4510	09-05-28 07:37:11	Fire Test Fail
4511	192.168.0.211					
4512	192.168.1.212					
4513	Inactive					

Current Parameters	
Last Access	07:37:11
System Voltage (V)	0.003
Load Current (A)	0.0
Battery Voltage (V)	12.642
Battery Current (A)	0.0
Last Run Result	
Last Run Date	

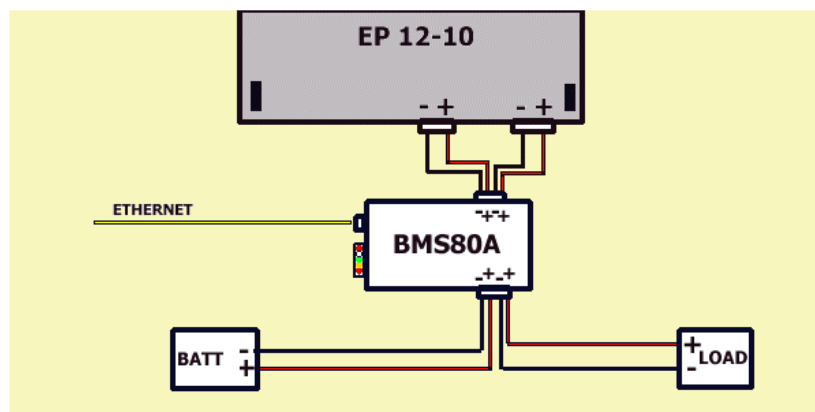
  

IP Addresses	
Unit IP	192.168.0.210
Dest IP	192.168.0.255
Subnet	255.255.255.0
Gateway	192.168.0.1

Battery Tests	
Batt Voltage Test	12.0
Batt Run Test	
Time to Next	
Batt Volts Test	
Batt Run Test	
Battery Alert Limits	
Battery Min	
Run Test divx8	

## Wiring Diagram



## Where to Buy:

Ventev LinkUPS Outdoor UPS Systems are exclusively available from TESSCO Technologies. Please visit [www.Tessco.com/go/backup](http://www.Tessco.com/go/backup) or call 800.472.7373.