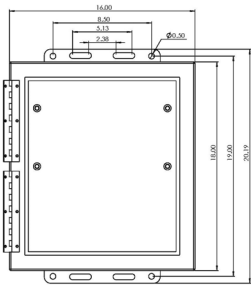


Enclosure Mounting Specifications

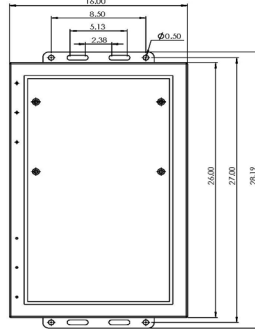
Ventev's Outdoor Power Solutions utilize various enclosure options, allowing system engineers to configure a solution that meets your exact needs. These NEMA 4X enclosures are used in our standard line and are made of either gray polycarbonate, powder-coated steel or powder-coated aluminum. Each enclosure includes an aluminum back plate, mounting feet and DIN rail for additional equipment installation.

Aluminum Enclosures

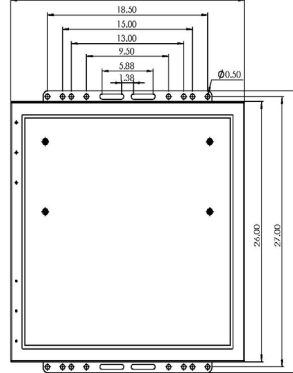
Small (18" x 16" x 10")



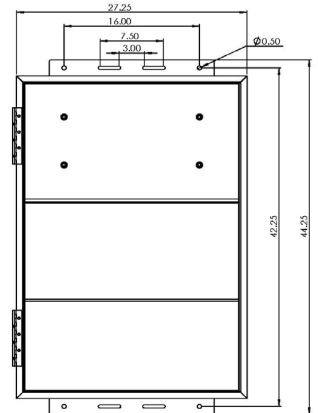
Medium (26" x 16" x 12")



Large (26" x 27" x 12")

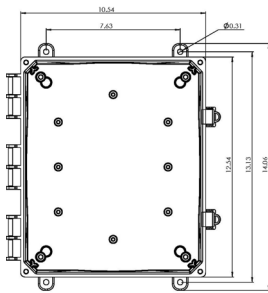


X-Large (40" x 27" x 13")

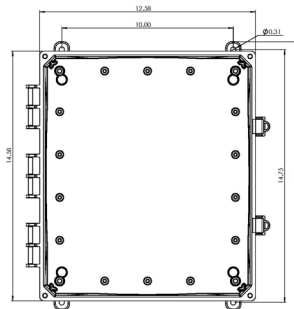


Polycarbonate Enclosures

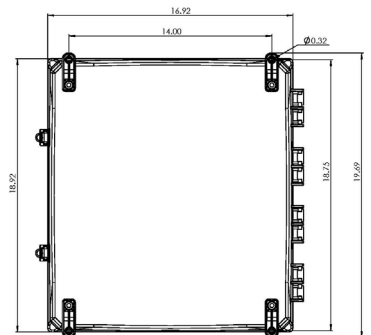
Small (12" x 10" x 6")



Medium (14" x 12" x 6")

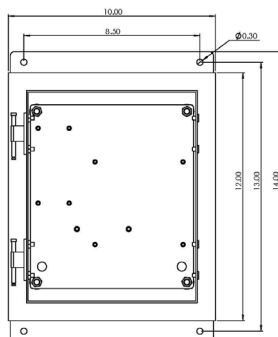


Large (18" x 16" x 10")

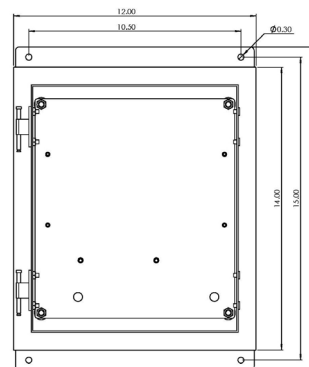


Steel Enclosures

Small (12" x 10" x 6")



Medium (14" x 12" x 6")



For customized solutions, contact a TESCO sales rep.

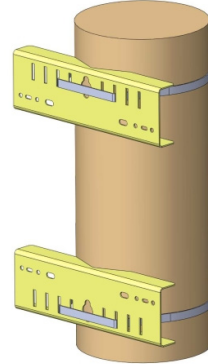
Aluminum Enclosure Mounts

Small Aluminum Enclosure Mount



Compatible with 18" x 16" Aluminum enclosure. Includes 3/8" hardware.

Utility Pole Mount



Compatible with all 18" x 16", 26" x 16" and 26" x 27" Aluminum enclosures. Fits up to a 13" diameter pole.

Polycarbonate Enclosure Mounts

Small/Medium Pole Mount Kit



Compatible with all 12" x 10" and 14" x 12" Polycarbonate and enclosures. Fits up to a 12" diameter pole.

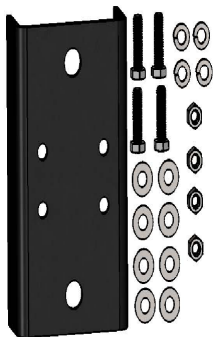
Large Pole Mount Kit



Compatible with 18" x 16" Polycarbonate enclosures. Fits up to a 12" diameter pole.

Additional Mounts

Solar Panel Adapter Kit



For mounting solar panels. Includes 3/8" hardware.

For customized solutions, contact a TESSCO sales rep.

800.759.9996 | Ventev.com | TESSCO.com