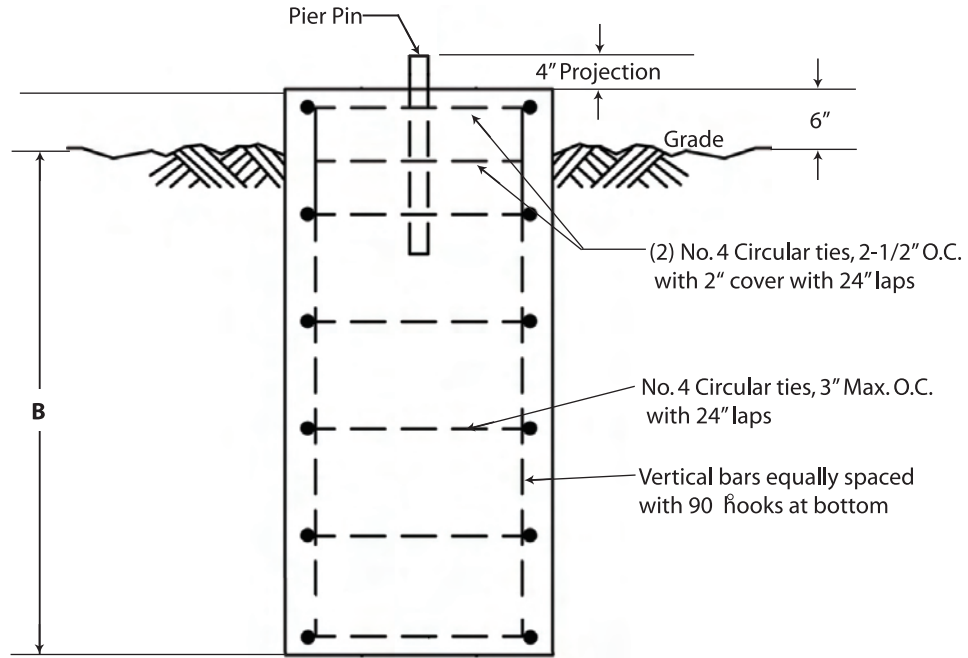
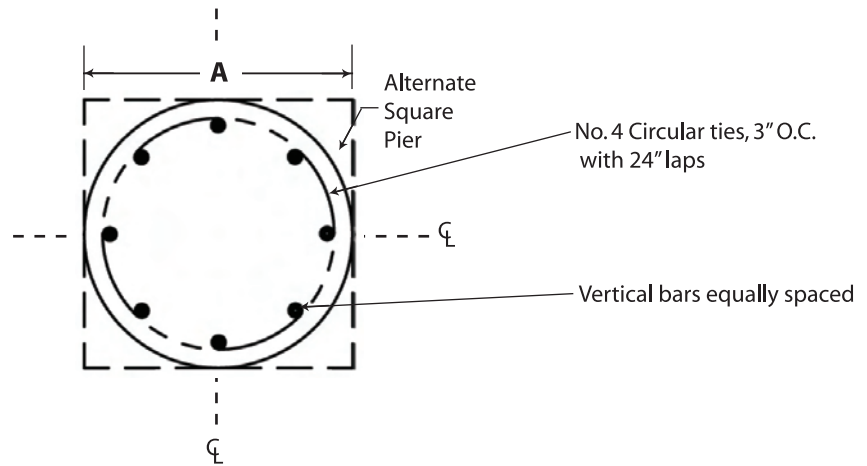


ROHN™ ROHN 45G Guyed Tower
Standard Base Pier Designs
“Normal Soil”



ELEVATION VIEW



PLAN VIEW

Base	A	B	C	Concrete Vol. (Cu. Yds.) Round Pier	Vertical Bars (No. & Size)
CB1G	2' - 6"	2' - 6"	4' - 0"	0.80	(8) #7
CB2G	3' - 0"	3' - 0"	4' - 0"	1.20	(10) #7
CB3G	3' - 6"	3' - 6"	4' - 0"	1.60	(12) #7