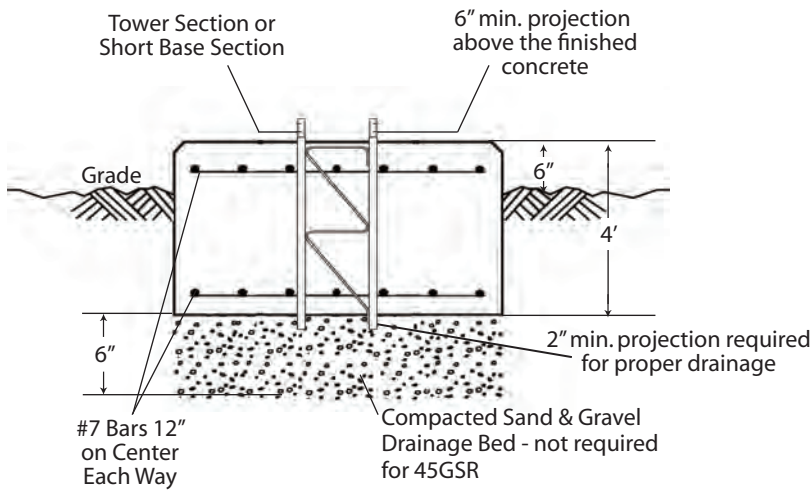
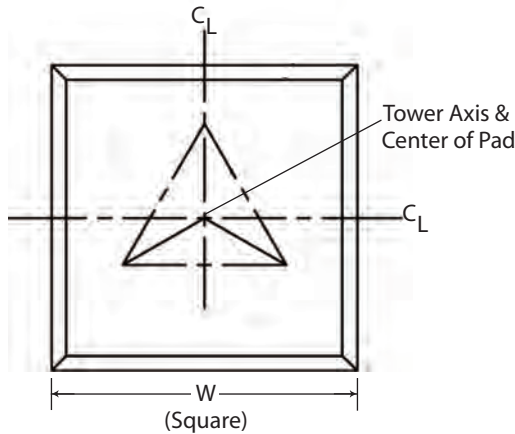




**ROHN G-Series Self-Supporting Tower Normal Soil Foundations**

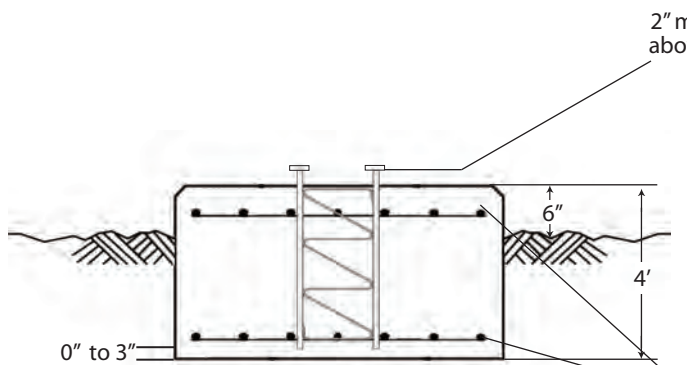


**ELEVATION VIEW**  
25G (shown), 45G & 55G  
SELF-SUPPORTING TOWER FOUNDATION

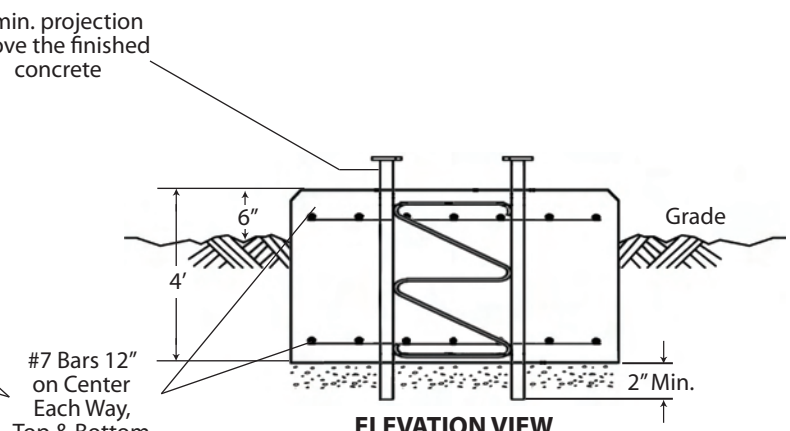


**PLAN VIEW**

Tower	Mat Width (W)	Concrete Volume (Cu. Yds.)
25G	4' - 0"	2.4
45G	5' - 3"	4.1
55G	6' - 0"	5.3
45GSR 65G	7' - 9"	8.9



**ELEVATION VIEW**  
45GSR  
SELF-SUPPORTING TOWER FOUNDATION



**ELEVATION VIEW**  
65G  
SELF-SUPPORTING TOWER FOUNDATION