

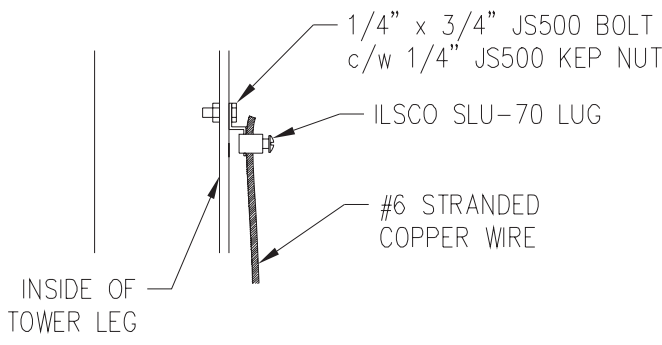
INSTALLATION MANUAL



LITERATURE PART #5.95.0000.000*

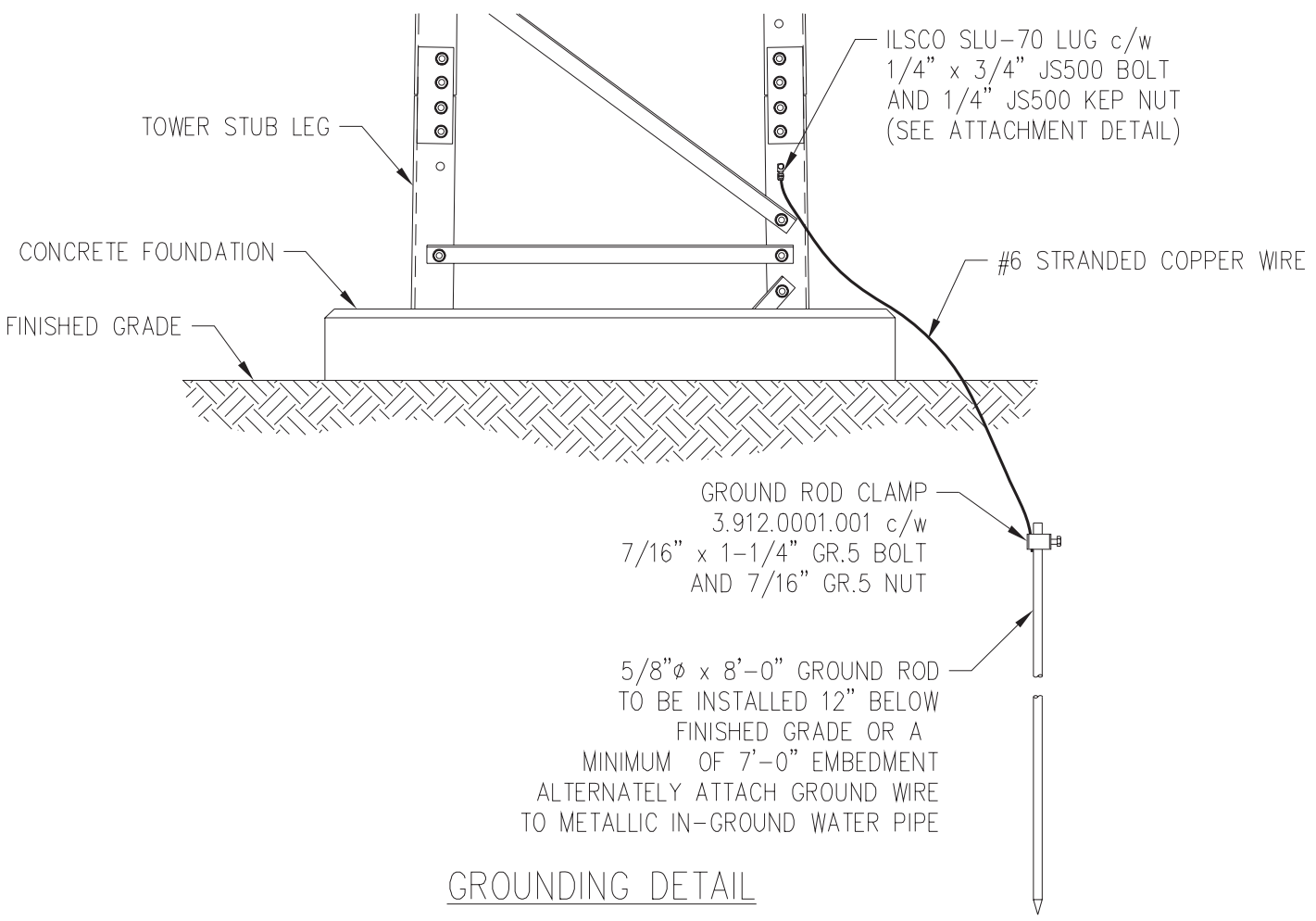
TABLE OF CONTENTS

<u>DESCRIPTION</u>	<u>PAGE</u>
SUPERTITAN® - Optional Accessories	
Grounding Kit	62
Side Mount Kits	63
Camera Mount	64
2' Standoff Bracket	65
Safety Cable Kit	66
Step-Bolt Kit	67-77
Step-Peg Ladder Assembly	78
Anti-Climb Shield / Sections 1 – 12HD	79
Anti-Climb Mesh / Sections 14 - 21	80



CLAMP ATTACHMENT

GROUNDING KIT P/N 4.91.0103.000		
QUANTITY	PART NO.	DESCRIPTION
1	3.912.0006.001	5/8"Ø x 8' Lg. GROUND ROD
3	1301404	#6 B.S.C. WIRE
1	1302090	ILSCO SLU-70 LUG
1	1205011	1/4" x 3/4" JS500 BOLT
1	1205020	1/4" JS500 KEP NUT
1	3.912.0001.001	GROUND ROD CLAMP
1	1201091	7/16" x 1-1/4" GR.5 HEX HEAD BOLT
1	1201080	7/16" GR.5 HEX NUT



GROUNDING DETAIL

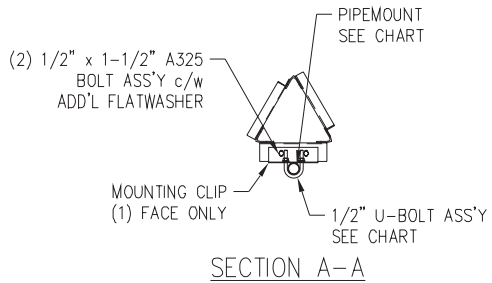
COPYRIGHT HEREIN IS THE PROPERTY OF TRYLON MANUFACTURING COMPANY LTD. ALL DUPLICATION, RECORDING, DISCLOSURE OR USE IS PROHIBITED WITHOUT WRITTEN CONSENT OF TRYLON MANUFACTURING COMPANY LTD.

REV.	REV. BY:	CHK. BY:	DESCRIPTION	DATE

NOTES:



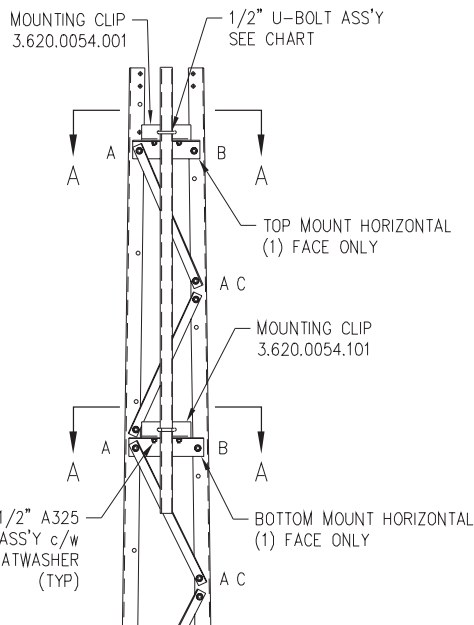
CUSTOMER:	SITE:	SCALE: 15.000
DATE: 10 APR 03	BY: MAW	CHK: BCP
TITLE: GROUNDING DETAILS		DRAWING NO. 000001.620.0030



1.9" OD PIPEMOUNT KITS

SECT. No.	MOUNT KIT No.	TOP MNT. HORIZ.	BTTM. MNT. HORIZ.	PIPEMOUNT	U-BOLT ASS'Y
1	4.84.0001.001	3.620.0018.001	3.620.0018.002	3.960.0013.100	4.963.0001.006
2	4.84.0001.002	3.620.0018.003	3.620.0018.004	3.960.0013.100	4.963.0001.006
3	4.84.0001.003	3.620.0018.005	3.620.0018.006	3.960.0013.100	4.963.0001.006
4	4.84.0001.004	3.620.0018.007	3.620.0018.008	3.960.0013.100	4.963.0001.006
5	4.84.0001.005	3.620.0018.009	3.620.0018.010	3.960.0013.100	4.963.0001.006
6	4.84.0001.006	3.620.0018.011	3.620.0018.012	3.960.0013.100	4.963.0001.006
7	4.84.0001.007	3.620.0018.013	3.620.0018.014	3.960.0013.100	4.963.0001.006
8	4.84.0001.008	3.620.0018.015	3.620.0018.016	3.960.0013.100	4.963.0001.006
9	4.84.0001.009	3.620.0018.017	3.620.0018.018	3.960.0013.100	4.963.0001.006
10	4.84.0001.010	3.620.0018.019	3.620.0018.020	3.960.0013.100	4.963.0001.006
11	4.84.0001.011	3.620.0018.021	3.620.0018.022	3.960.0013.100	4.963.0001.006
12	4.84.0001.012	3.620.0018.023	3.620.0018.024	3.960.0013.100	4.963.0001.006

BOLT SCHEDULE (SECT. 1 TO 5)		
MARK	SIZE	QTY
A	1/2" x 1-1/2" A325	4
B	1/2" x 1-1/2" A325 + FLATWASHER	2
C	3/16"x2"x2" SPACER c/w 9/16"Ø HOLE	2



4.5" OD PIPEMOUNT KITS

SECT. No.	MOUNT KIT No.	TOP MNT. HORIZ.	BTTM. MNT. HORIZ.	PIPEMOUNT	U-BOLT ASS'Y
1	4.84.0006.001	3.620.0018.001	3.620.0018.002	3.960.0011.103	4.963.0001.207
2	4.84.0006.002	3.620.0018.003	3.620.0018.004	3.960.0011.103	4.963.0001.207
3	4.84.0006.003	3.620.0018.005	3.620.0018.006	3.960.0011.103	4.963.0001.207
4	4.84.0006.004	3.620.0018.007	3.620.0018.008	3.960.0011.103	4.963.0001.207
5	4.84.0006.005	3.620.0018.009	3.620.0018.010	3.960.0011.103	4.963.0001.207
6	4.84.0006.006	3.620.0018.011	3.620.0018.012	3.960.0011.103	4.963.0001.207
7	4.84.0006.007	3.620.0018.013	3.620.0018.014	3.960.0011.103	4.963.0001.207
8	4.84.0006.008	3.620.0018.015	3.620.0018.016	3.960.0011.103	4.963.0001.207
9	4.84.0006.009	3.620.0018.017	3.620.0018.018	3.960.0011.103	4.963.0001.207
10	4.84.0006.010	3.620.0018.019	3.620.0018.020	3.960.0011.103	4.963.0001.207
11	4.84.0006.011	3.620.0018.021	3.620.0018.022	3.960.0011.103	4.963.0001.207
12	4.84.0006.012	3.620.0018.023	3.620.0018.024	3.960.0011.103	4.963.0001.207

BOLT SCHEDULE (SECT. 6 TO 12)		
MARK	SIZE	QTY
A	1/2" x 1-3/4" A325 + FLATWASHER	4
B	1/2" x 1-1/2" A325	2
C	3/16"x2"x2" SPACER c/w 9/16"Ø HOLE	2

NOTES:

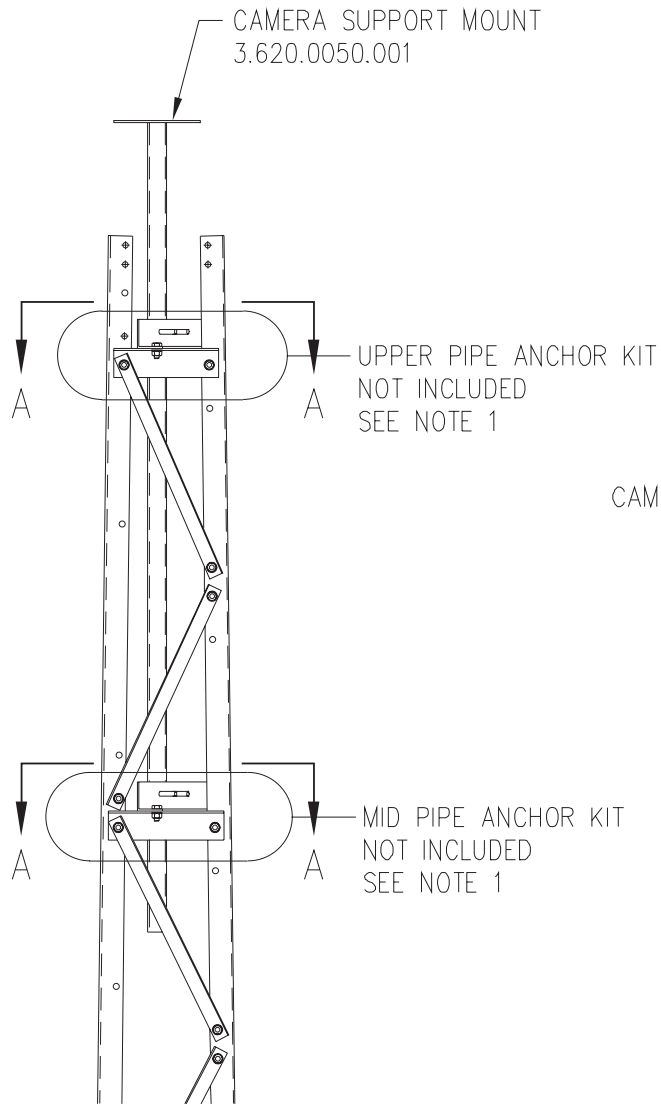


A	MRH	JAG	ADDED 4.5" OD PIPE OPTION	26 OCT 04	
REV.	REV. BY:	CHK. BY:	DESCRIPTION	DATE	

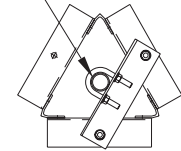
CONFIDENTIAL: ALL INTELLECTUAL PROPERTY RIGHTS HEREIN ARE THE PROPERTY OF TRYLON MANUFACTURING COMPANY LTD. ALL DUPLICATION, RECORDING, DISCLOSURE OR USE IS PROHIBITED WITHOUT WRITTEN CONSENT OF TRYLON MANUFACTURING COMPANY LTD.



CUSTOMER:		SITE:		SCALE: 20.000	
DATE: 11 APR 03	BY: MAW	CHK: BCP	APP: JB		
TITLE: SIDE MOUNT DETAILS			DRAWING NO. 000001.620.0033		



CAMERA SUPPORT MOUNT
3.620.0050.001



SECTION A-A

CAMERA MOUNT
KIT No. 4.85.0102.000

NOTES:

- 1) REFER TO DWG. 000001.620.0031 FOR MOUNT HORIZ. AND SUPPORT HORIZONTAL KITS.

COPYRIGHT HEREIN IS THE PROPERTY OF TRYLON MANUFACTURING COMPANY LTD. ALL DUPLICATION, RECORDING, DISCLOSURE OR USE IS PROHIBITED WITHOUT WRITTEN CONSENT OF TRYLON MANUFACTURING COMPANY LTD.

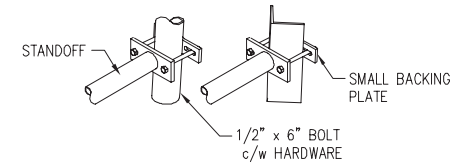
REV.	REV. BY:	CHK. BY:	DESCRIPTION	DATE



CUSTOMER:	SITE:	SCALE: 20.000
DATE: 11 APR 03	BY: MAW	CHK: BCP
TITLE: CAMERA MOUNT DETAILS		DRAWING NO. 000001.620.0034

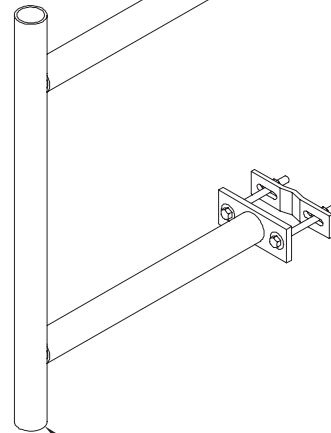
LD (2-3/8x36) 2' V-S/O
KIT NUMBER 5.930.0202.002

SMALL BACKING 'A' KIT



- SMALL BACKING PLATE 'A' ASSEMBLY (5.963.0001.001)
- (1) 3.963.0182.001 SMALL BACKING PLATE
 - (2) 1201362 1/2" x 6" HEX BOLT (GRD 5)
 - (2) 1201120 1/2" HEX NUT
 - (2) 1201121 1/2" LOCK WASHER
 - (2) 1201122 1/2" FLAT WASHER

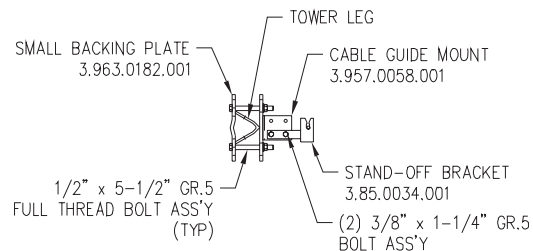
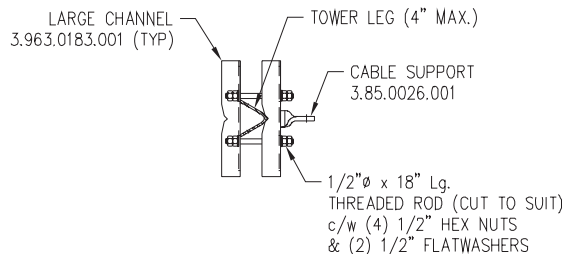
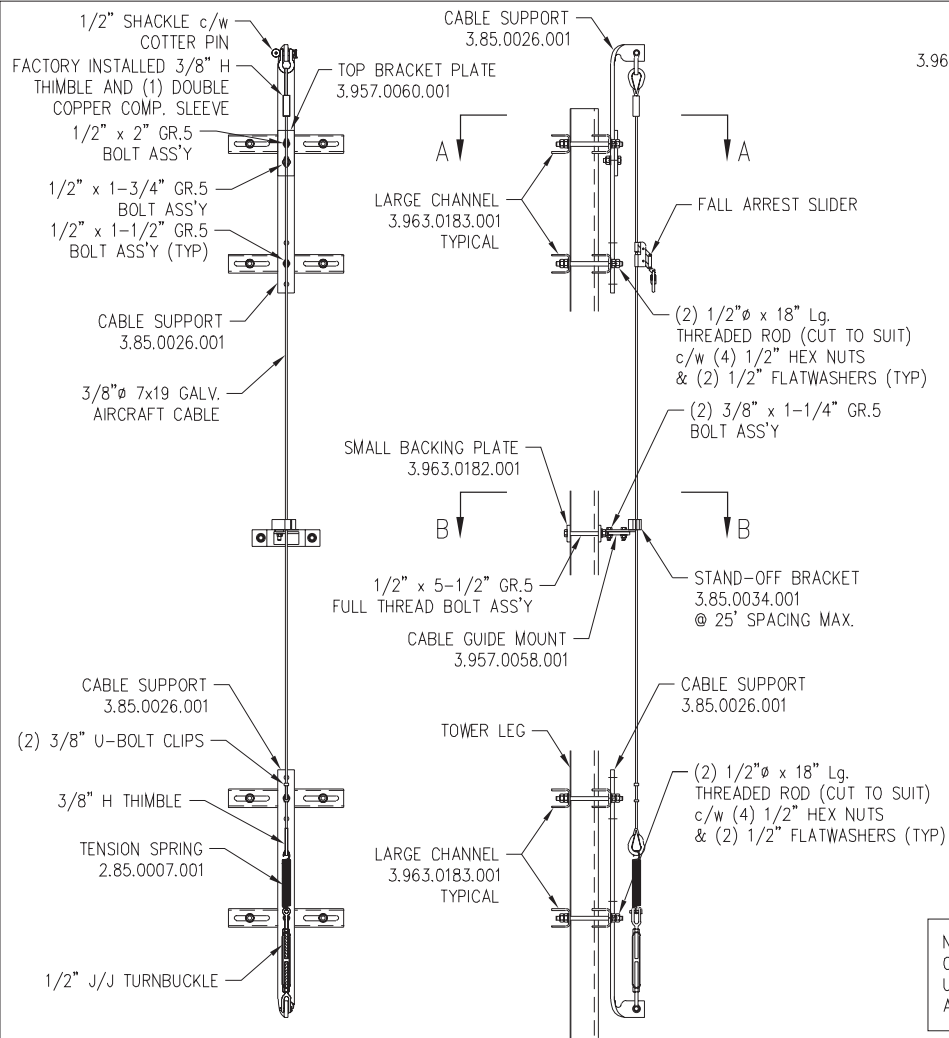
BACKING PLATE ASSEMBLY
5.963.0001.001
(QTY.2)



LD (2-3/8x36) 2' V-S/O
3.930.0396.001
(QTY.1)



B	AJM	MRH	SCH 40 PIPE CHANGE OUT	17 FEB 05					
A	AJM	MRH	ISSUED FOR DISTRIBUTION	31 JAN 05					
REV.	REV. BY:	CHK. BY:	DESCRIPTION	DATE	DATE:	BY:	CHK:	APP:	SCALE:
					05 FEB 03	DM	MRH	BCP	NTS
COPYRIGHT HEREIN IS THE PROPERTY OF TRYLON MANUFACTURING COMPANY LTD. ALL DUPLICATION, RECORDING, DISCLOSURE OR USE IS PROHIBITED WITHOUT WRITTEN CONSENT OF TRYLON MANUFACTURING COMPANY LTD.					TITLE:		DRAWING NO.		
					LD (2-3/8x36) 2' V-S/O		930.0202.002		



NOTE:

- 1) THE UPPER SAFETY CABLE SUPPORT MUST BE ATTACHED TO A STRUCTURE CAPABLE OF SUPPORTING A STATIC LOAD OF 5000lbs.
- 2) **WARNING:** ANY SLIDER WHICH HAS EXPERIENCED A FALL ARREST SHOULD NOT BE USED AFTER SUCH FALL ARREST.

NOTE:
C.S.A. CERTIFICATION IS VALID ONLY IF THE SYSTEM IS INSTALLED USING ONLY THE MANUFACTURER'S COMPONENTS AND IN ACCORDANCE WITH THE MANUFACTURER'S INSTRUCTIONS.

INSTRUCTIONS
INSTALLATION STEPS

- 1) **BODY HARNESS:** The Cougar Cable System is designed to be used with a full body harness. Body belts are not an acceptable alternative. Please review the instructions included with the body harness for details on proper fitting and use.
- 2) **TOP BRACKET:** Install top bracket in center of the mount at upper elevation. Tighten nuts on backer plates using "turn of the nut method" and exercising care not to over tighten nuts and bend backer plates.
- 3) **CABLE:** Attach cable to top bracket using the shackle provided and install the cotter pin to prevent the bolt from unscrewing.
- 4) **LOWER BRACKET:** Install the lower bracket in the mount center and connect all hardware as shown in the drawing to the left. Tighten the turnbuckle until the spring has $\frac{1}{2}$ " to $\frac{3}{4}$ " of deflection.
- 5) **STAND-OFF BRACKETS:** Install stand-off brackets at approximately 25 foot intervals. The stand-off brackets should be installed such that the cable will lie in the center of the stand-off bracket. The clip on the stand-off bracket is spring loaded and should firmly grip the 3/8" cable.
- 6) **CABLE TERMINATION:** After the system is installed excess cable can be cut off.
- 7) **SLIDER:** The stainless steel slider is removable and should be stored inside. Consult the instruction sheet provided with the slider for information on care, use and maintenance.

OPERATION

- 1) The Cougar Cable System is provided as an integrated kit and may not be used for other applications or in conjunction with other Fall Protection Systems. CSA Certification is void if components are purchased or introduced outside of this kit.
- 2) If any part of the system has experienced a fall arrest, the system shall be removed from service, inspected and repaired before using.
- 3) The Cougar Cable System is designed to arrest the fall of a single person at a time although multiple users can use the system to access the work place. Only one climber can actively utilize the system at one time. All other climbers must be tied-off appropriately.
- 4) The Cougar Cable System is designed to be used in a vertical operating position. The system must be installed plumb ($\pm 3'$) to ensure proper activation of the slider brake cam.
- 5) The upper mounting bracket is designed to absorb energy if a fall occurs and reduce potential injury to the climber. Since many materials exhibit brittleness and behave differently at extreme cold it is recommended that no climbing occur at temperatures less than minus 30° Celsius.



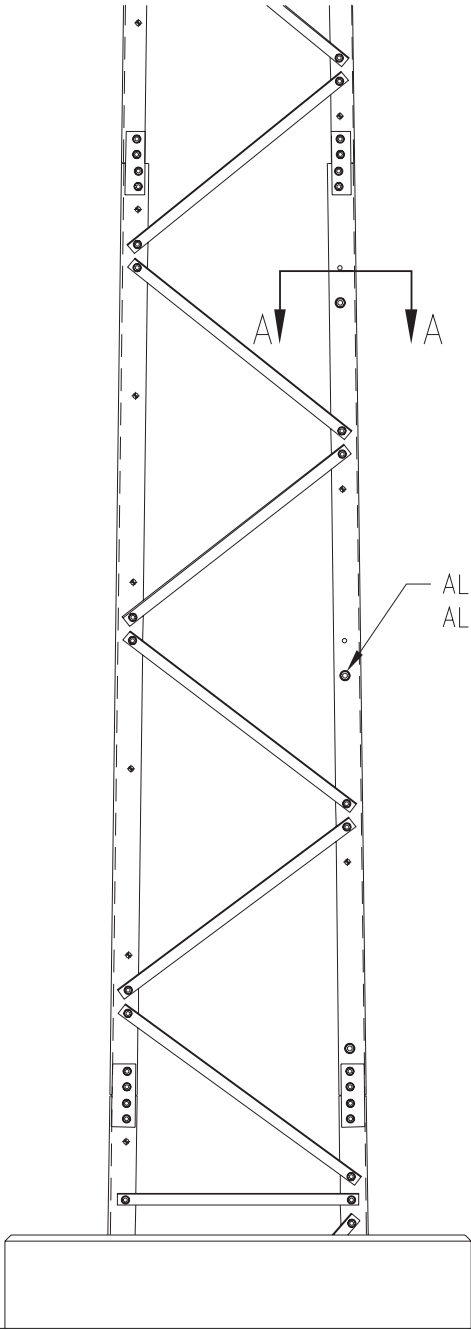
COPYRIGHT HEREIN IS THE PROPERTY OF TRYLON MANUFACTURING COMPANY LTD. ALL DUPLICATION, RECORDING, DISCLOSURE OR USE IS PROHIBITED WITHOUT WRITTEN CONSENT OF TRYLON MANUFACTURING COMPANY LTD.



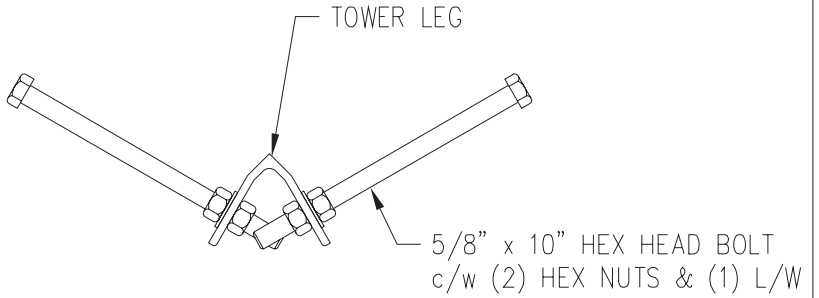
CUSTOMER:		SITE:		SCALE: 15,000	
DATE: 25 APR 03	BY: MAW	CHK: BCP	APP: JB		
TITLE: SUPERTITAN SAFETY CABLE			DRAWING NO. 000001.620.0042		

REV.	REV. BY:	CHK. BY:	DESCRIPTION	DATE

KIT NUMBER	TOWER HEIGHT
4.98.0100.010	10'
4.98.0100.020	20'
4.98.0100.030	30'
4.98.0100.040	40'
4.98.0100.050	50'
4.98.0100.060	60'
4.98.0100.070	70'
4.98.0100.080	80'
4.98.0100.090	90'
4.98.0100.100	100'
4.98.0100.110	110'
4.98.0100.120	120'



ALTERNATE STEP PEGS
ALONG TOWER LEG.



SECTION A-A

NOTES:

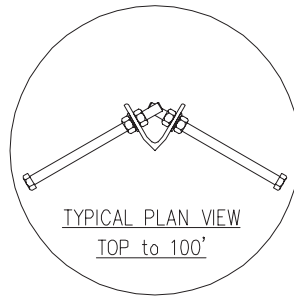
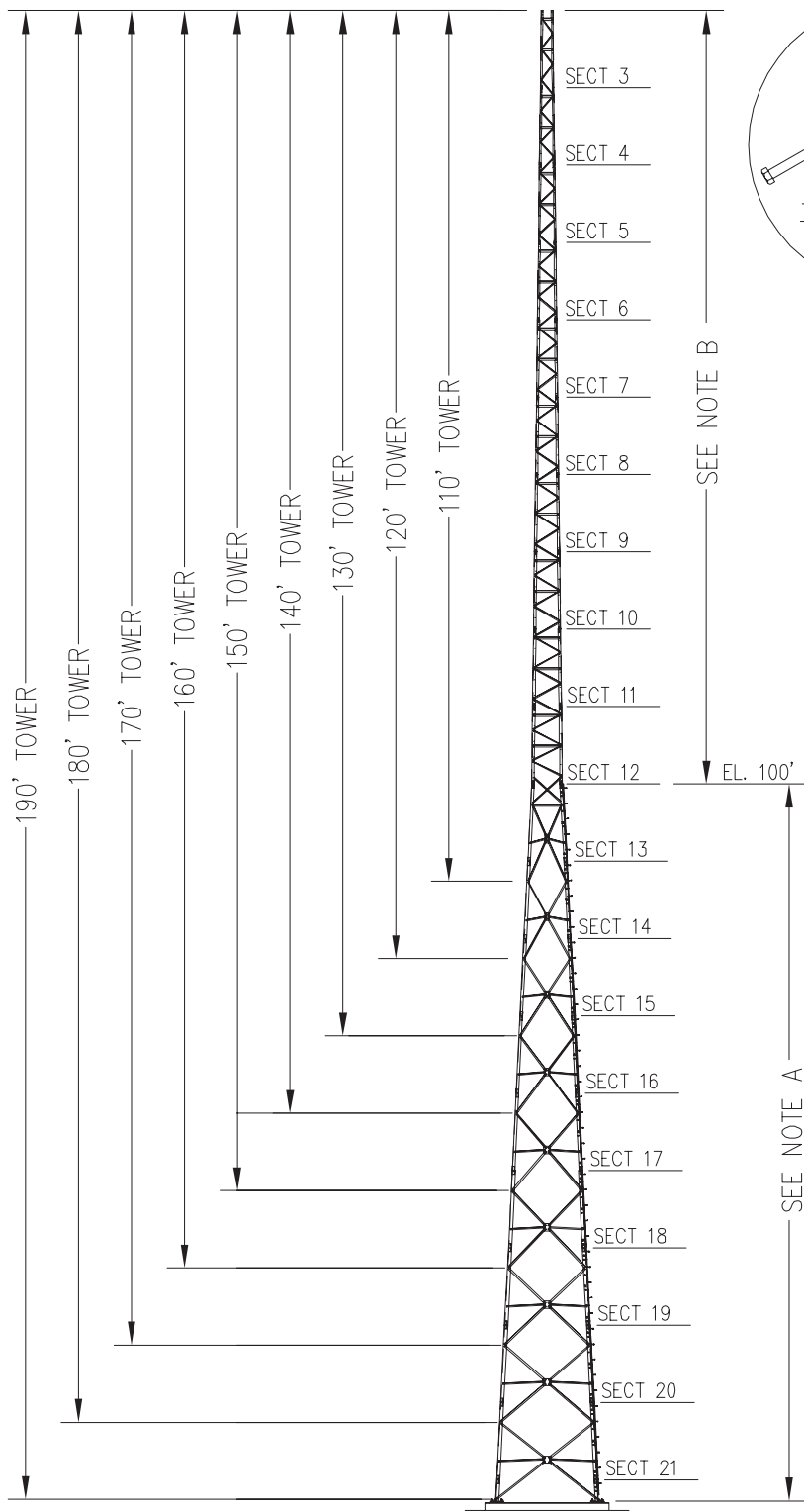
- 1) WHEN USING AN ANTI-CLIMB SHIELD START STEP PEGS IN FIRST HOLE ABOVE SHIELD.

COPYRIGHT HEREIN IS THE PROPERTY OF TRYLON MANUFACTURING COMPANY LTD. ALL DUPLICATION, RECORDING, DISCLOSURE OR USE IS PROHIBITED WITHOUT WRITTEN CONSENT OF TRYLON MANUFACTURING COMPANY LTD.

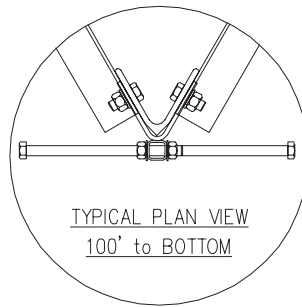
REV.	REV. BY:	CHK. BY:	DESCRIPTION	DATE



CUSTOMER:		SITE:		SCALE: 25.000	
DATE: 25 APR 03	BY: MAW	CHK: BCP	APP: JB	DRAWING NO. 000001.620.0041	
TITLE: STEP PEG INSTALLATION				DRAWING NO. 000001.620.0041	



S300 STEP -PEG KITS	
TOWER HEIGHT	KIT NUMBER
190'	4.98.S300.190
180'	4.98.S300.180
170'	4.98.S300.170
160'	4.98.S300.160
150'	4.98.S300.150
140'	4.98.S300.140
130'	4.98.S300.130
120'	4.98.S300.120
110'	4.98.S300.110



NOTES:

- A. REFER TO DWG. 01.620.0100 FOR STEP PEG LADDER ASSEMBLY for 100' to BOTTOM.
- B. REFER TO DWG. 01.620.0041 FOR STEP PEG INSTALLATION FOR 100' to TOP.

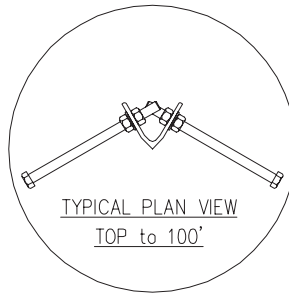
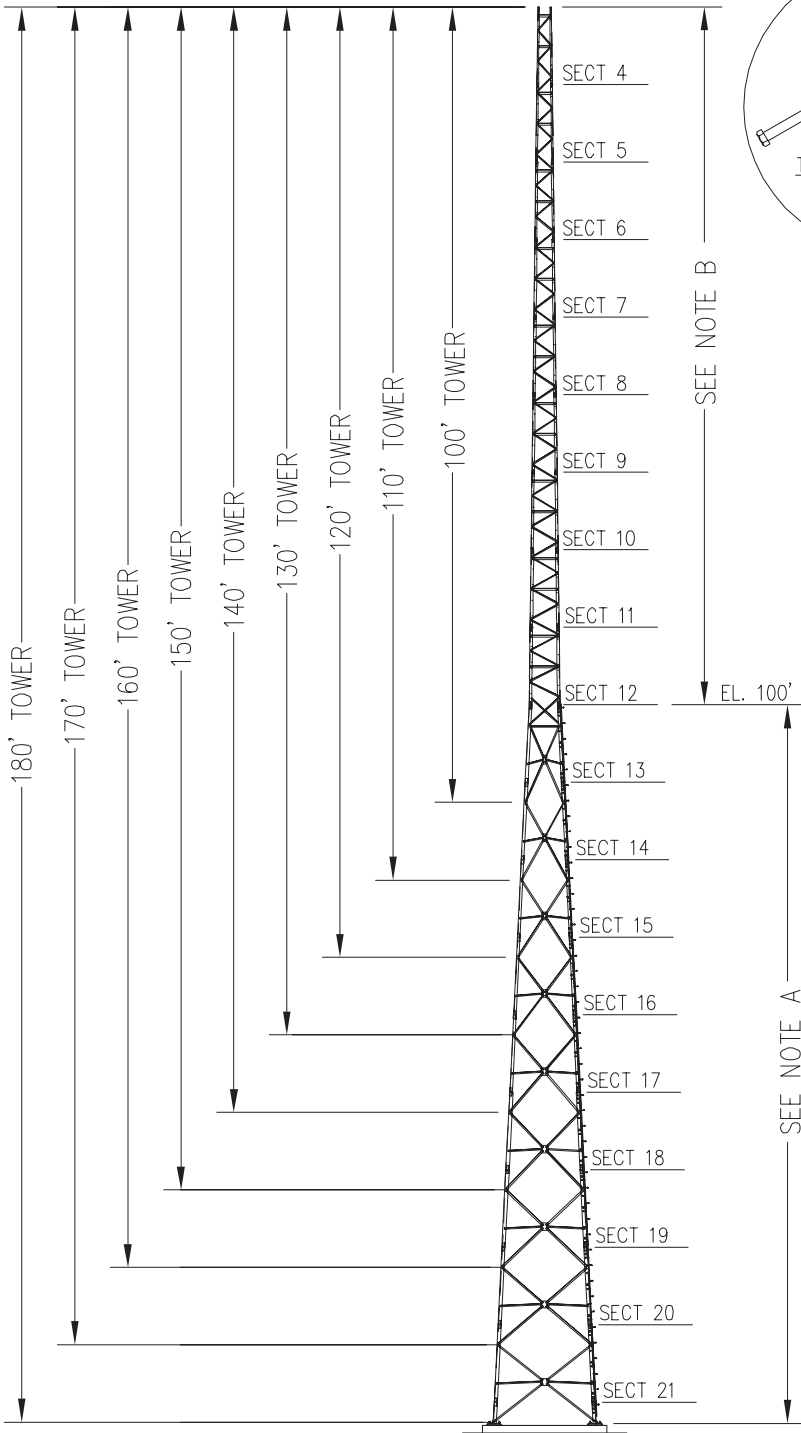
- 1) SECTIONS 3-12 UTILIZE STEP-PEGS THAT SIMPLY SCREW INTO PRE-PUNCHED 11/16" HOLES IN THE TOWER LEGS.
- 2) SECTIONS 13-21 UTILIZE STEP-PEG LADDER SECTIONS WHICH CLAMP ONTO THE TOWER LEG AT 2 POINTS.
- 3) THE VERY BOTTOM UTILIZES AN 18" LONG BASE STEP PEG LADDER THAT CLAMPS ONTO THE BASE FOOT WELDMENT.

CONFIDENTIAL:
 ALL INTELLECTUAL PROPERTY RIGHTS HEREIN ARE THE PROPERTY OF TRYLON MANUFACTURING COMPANY LTD. ALL DUPLICATION, RECORDING, DISCLOSURE OR USE IS PROHIBITED WITHOUT WRITTEN CONSENT OF TRYLON MANUFACTURING COMPANY LTD.

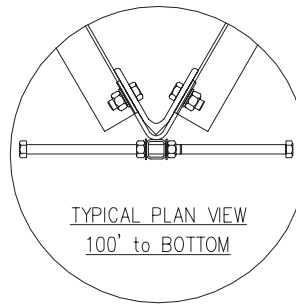
REV.	REV. BY:	CHK. BY:	DESCRIPTION	DATE
A	MRH	JAG	ISSUED FOR DISTRIBUTION	22 JUL 05



CUSTOMER: STSS	SITE: S300 SERIES TOWER	SCALE: 300.000
DATE: 19 NOV 04	BY: MAW	CHK: JAG
TITLE: CLIMBING STEP-PEG KITS		APP: JB
		DRAWING NO. 000001.620.0110



S400 STEP -PEG KITS	
TOWER HEIGHT	KIT NUMBER
180'	4.98.S400.180
170'	4.98.S400.170
160'	4.98.S400.160
150'	4.98.S400.150
140'	4.98.S400.140
130'	4.98.S400.130
120'	4.98.S400.120
110'	4.98.S400.110
100'	4.98.S400.100



NOTES:

- A. REFER TO DWG. 01.620.0100 FOR STEP PEG LADDER ASSEMBLY for 100' to BOTTOM.
- B. REFER TO DWG. 01.620.0041 FOR STEP PEG INSTALLATION FOR 100' to TOP.

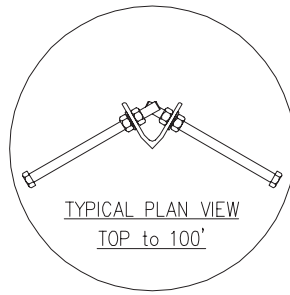
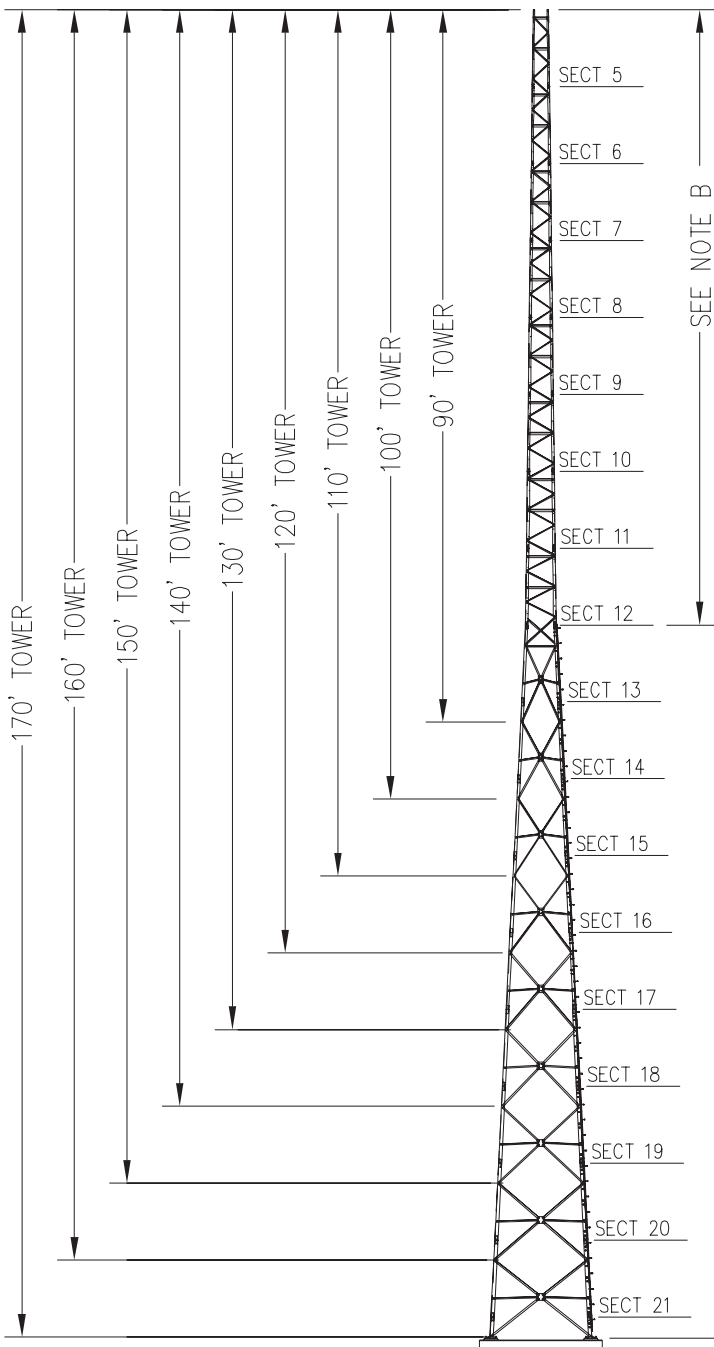
- 1) SECTIONS 4-12 UTILIZE STEP-PEGS THAT SIMPLY SCREW INTO PRE-PUNCHED 11/16" HOLES IN THE TOWER LEGS.
- 2) SECTIONS 13-21 UTILIZE STEP-PEG LADDER SECTIONS WHICH CLAMP ONTO THE TOWER LEG AT 2 POINTS.
- 3) THE VERY BOTTOM UTILIZES AN 18" LONG BASE STEP PEG LADDER THAT CLAMPS ONTO THE BASE FOOT WELDMENT.

CONFIDENTIAL:
ALL INTELLECTUAL PROPERTY RIGHTS HEREIN ARE THE PROPERTY OF TRYLON MANUFACTURING COMPANY LTD. ALL DUPLICATION, RECORDING, DISCLOSURE OR USE IS PROHIBITED WITHOUT WRITTEN CONSENT OF TRYLON MANUFACTURING COMPANY LTD.

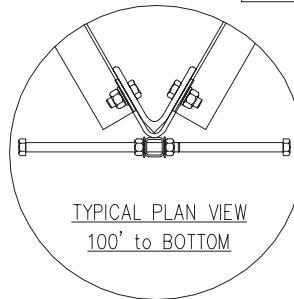
A	MRH	JAG	ISSUED FOR DISTRIBUTION	22 JUL 05
REV.	REV. BY:	CHK. BY:	DESCRIPTION	DATE



CUSTOMER: STSS	SITE: S400 SERIES TOWER	SCALE: 300.000
DATE: 19 NOV 04	BY: MAW	CHK: JAG
TITLE: CLIMBING STEP-PEG KITS		APP: JB
		DRAWING NO. 000001.620.0111



S500 STEP -PEG KITS	
TOWER HEIGHT	KIT NUMBER
170'	4.98.S500.170
160'	4.98.S500.160
150'	4.98.S500.150
140'	4.98.S500.140
130'	4.98.S500.130
120'	4.98.S500.120
110'	4.98.S500.110
100'	4.98.S500.100
90'	4.98.S500.090



NOTES:

- A. REFER TO DWG. 01.620.0100 FOR STEP PEG LADDER ASSEMBLY for 100' to BOTTOM.
- B. REFER TO DWG. 01.620.0041 FOR STEP PEG INSTALLATION FOR 100' to TOP.

- 1) SECTIONS 5-12 UTILIZE STEP-PEGS THAT SIMPLY SCREW INTO PRE-PUNCHED 11/16" HOLES IN THE TOWER LEGS.
- 2) SECTIONS 13-21 UTILIZE STEP-PEG LADDER SECTIONS WHICH CLAMP ONTO THE TOWER LEG AT 2 POINTS.
- 3) THE VERY BOTTOM UTILIZES AN 18" LONG BASE STEP PEG LADDER THAT CLAMPS ONTO THE BASE FOOT WELDMENT.

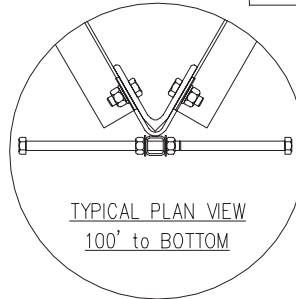
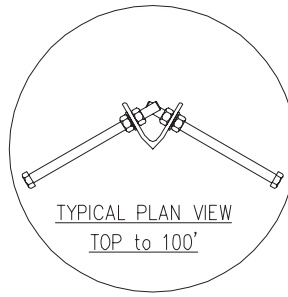
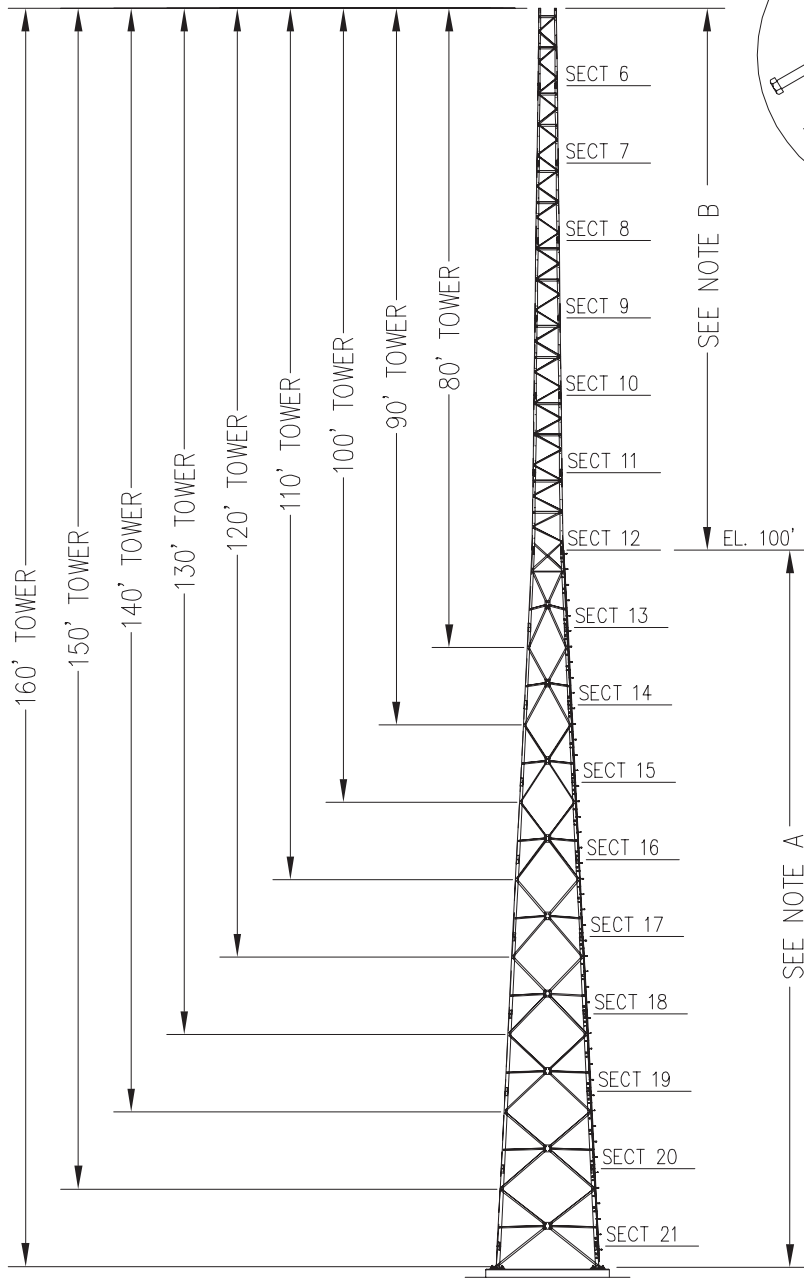
CONFIDENTIAL:
ALL INTELLECTUAL PROPERTY RIGHTS HEREIN ARE THE PROPERTY OF TRYLON MANUFACTURING COMPANY LTD. ALL DUPLICATION, RECORDING, DISCLOSURE OR USE IS PROHIBITED WITHOUT WRITTEN CONSENT OF TRYLON MANUFACTURING COMPANY LTD.

A	MRH	JAG	ISSUED FOR DISTRIBUTION	22 JUL 05
REV.	REV. BY:	CHK. BY:	DESCRIPTION	DATE

NOTES:



CUSTOMER: STSS	SITE: S500 SERIES TOWER	SCALE: 300.000
DATE: 19 NOV 04	BY: MAW	CHK: JAG
TITLE: CLIMBING STEP-PEG KITS		APP: JB
DRAWING NO. 000001.620.0112		



S600 STEP -PEG KITS	
TOWER HEIGHT	KIT NUMBER
160'	4.98.S600.160
150'	4.98.S600.150
140'	4.98.S600.140
130'	4.98.S600.130
120'	4.98.S600.120
110'	4.98.S600.110
100'	4.98.S600.100
90'	4.98.S600.090
80'	4.98.S600.080

NOTES:

- A. REFER TO DWG. 01.620.0100 FOR STEP PEG LADDER ASSEMBLY for 100' to BOTTOM.
- B. REFER TO DWG. 01.620.0041 FOR STEP PEG INSTALLATION FOR 100' to TOP.

- 1) SECTIONS 6-12 UTILIZE STEP-PEGS THAT SIMPLY SCREW INTO PRE-PUNCHED 11/16" HOLES IN THE TOWER LEGS.
- 2) SECTIONS 13-21 UTILIZE STEP-PEG LADDER SECTIONS WHICH CLAMP ONTO THE TOWER LEG AT 2 POINTS.
- 3) THE VERY BOTTOM UTILIZES AN 18" LONG BASE STEP PEG LADDER THAT CLAMPS ONTO THE BASE FOOT WELDMENT.

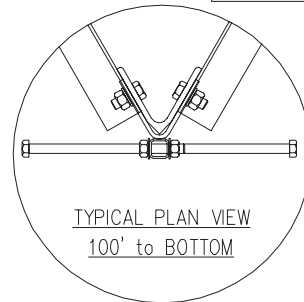
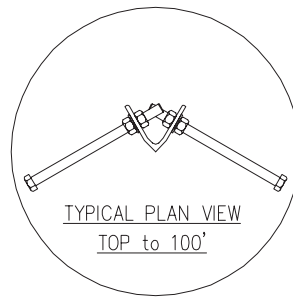
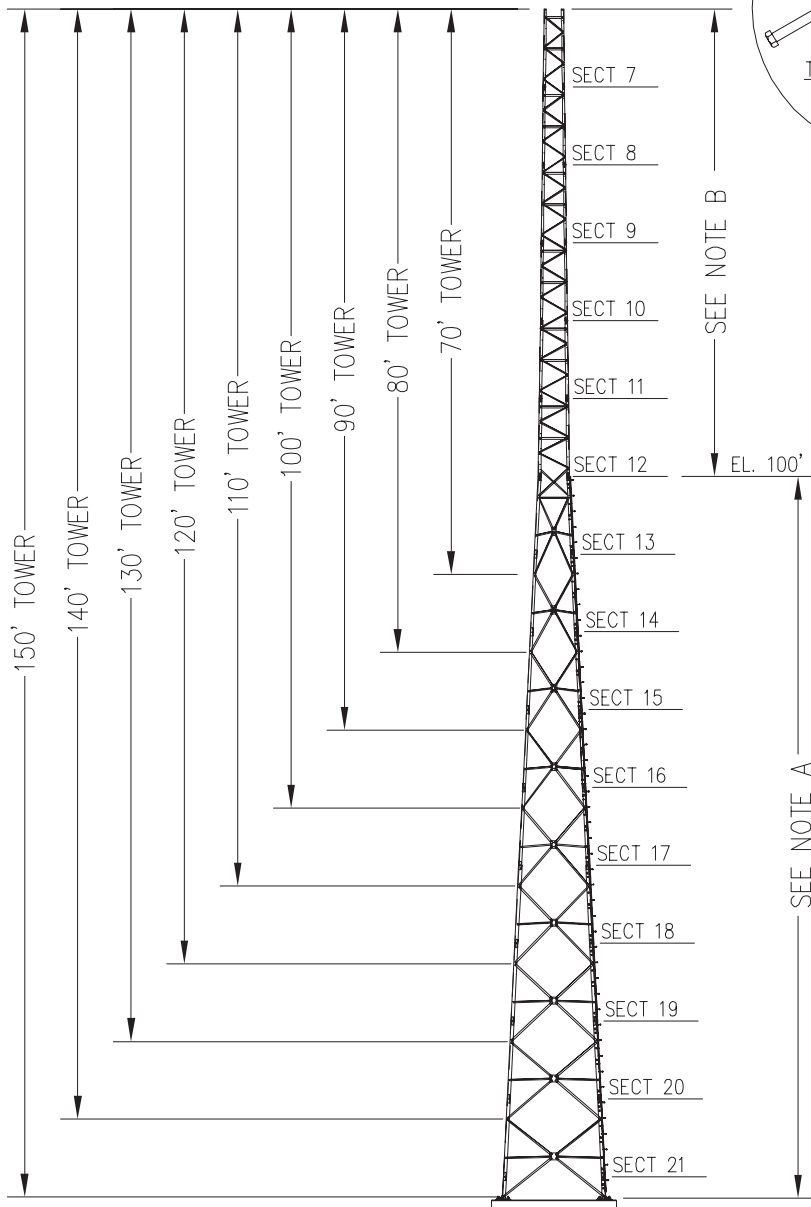
CONFIDENTIAL:
 ALL INTELLECTUAL PROPERTY RIGHTS HEREIN ARE THE PROPERTY OF
 TRYLON MANUFACTURING COMPANY LTD. ALL DUPLICATION,
 RECORDING, DISCLOSURE OR USE IS PROHIBITED WITHOUT WRITTEN
 CONSENT OF TRYLON MANUFACTURING COMPANY LTD.

A	MRH	JAG	ISSUED FOR DISTRIBUTION	22 JUL 05
REV.	REV. BY:	CHK. BY:	DESCRIPTION	DATE

NOTES:



CUSTOMER: STSS	SITE: S600 SERIES TOWER	SCALE: 300.000	
DATE: 19 NOV 04	BY: MAW	CHK: JAG	APP: JB
TITLE: CLIMBING STEP-PEG KITS		DRAWING NO. 000001.620.0113	



S700 STEP -PEG KITS	
TOWER HEIGHT	KIT NUMBER
150'	4.98.S700.150
140'	4.98.S700.140
130'	4.98.S700.130
120'	4.98.S700.120
110'	4.98.S700.110
100'	4.98.S700.100
90'	4.98.S700.090
80'	4.98.S700.080
70'	4.98.S700.070

NOTES:

- A. REFER TO DWG. 01.620.0100 FOR STEP PEG LADDER ASSEMBLY for 100' to BOTTOM.
- B. REFER TO DWG. 01.620.0041 FOR STEP PEG INSTALLATION FOR 100' to TOP.

- 1) SECTIONS 7-12 UTILIZE STEP-PEGS THAT SIMPLY SCREW INTO PRE-PUNCHED 11/16" HOLES IN THE TOWER LEGS.
- 2) SECTIONS 13-21 UTILIZE STEP-PEG LADDER SECTIONS WHICH CLAMP ONTO THE TOWER LEG AT 2 POINTS.
- 3) THE VERY BOTTOM UTILIZES AN 18" LONG BASE STEP PEG LADDER THAT CLAMPS ONTO THE BASE FOOT WELDMENT.

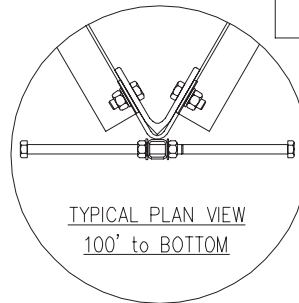
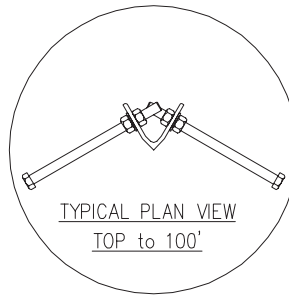
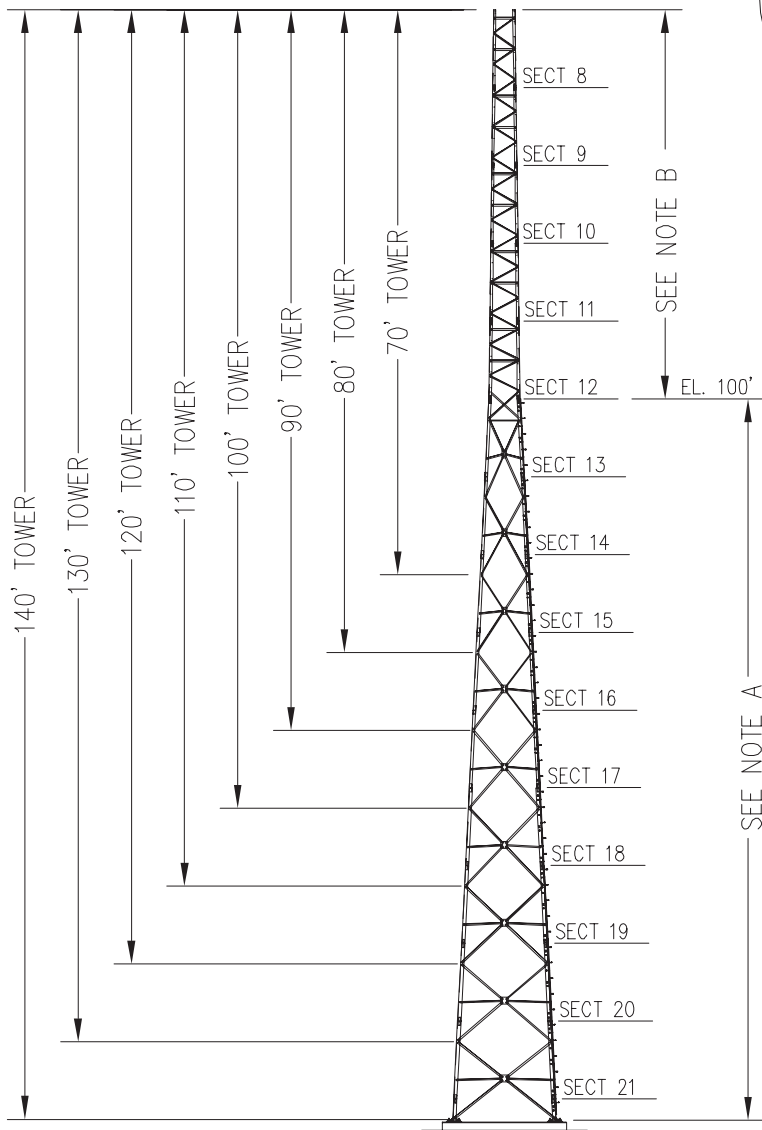
CONFIDENTIAL:
 ALL INTELLECTUAL PROPERTY RIGHTS HEREIN ARE THE PROPERTY OF TRYLON MANUFACTURING COMPANY LTD. ALL DUPLICATION, RECORDING, DISCLOSURE OR USE IS PROHIBITED WITHOUT WRITTEN CONSENT OF TRYLON MANUFACTURING COMPANY LTD.

A	MRH	JAG	ISSUED FOR DISTRIBUTION	22 JUL 05
REV.	REV. BY:	CHK. BY:	DESCRIPTION	DATE

NOTES:



CUSTOMER: STSS	SITE: S700 SERIES TOWER	SCALE: 300.000	
DATE: 19 NOV 04	BY: MAW	CHK: JAG	APP: JB
TITLE: CLIMBING STEP-PEG KITS		DRAWING NO. 000001.620.0114	



S800 STEP -PEG KITS	
TOWER HEIGHT	KIT NUMBER
140'	4.98.S800.140
130'	4.98.S800.130
120'	4.98.S800.120
110'	4.98.S800.110
100'	4.98.S800.100
90'	4.98.S800.090
80'	4.98.S800.080
70'	4.98.S800.070

NOTES:

- A. REFER TO DWG. 01.620.0100 FOR STEP PEG LADDER ASSEMBLY for 100' to BOTTOM.
- B. REFER TO DWG. 01.620.0041 FOR STEP PEG INSTALLATION FOR 100' to TOP.

- 1) SECTIONS 8-12 UTILIZE STEP-PEGS THAT SIMPLY SCREW INTO PRE-PUNCHED 11/16" HOLES IN THE TOWER LEGS.
- 2) SECTIONS 13-21 UTILIZE STEP-PEG LADDER SECTIONS WHICH CLAMP ONTO THE TOWER LEG AT 2 POINTS.
- 3) THE VERY BOTTOM UTILIZES AN 18" LONG BASE STEP PEG LADDER THAT CLAMPS ONTO THE BASE FOOT WELDMENT.

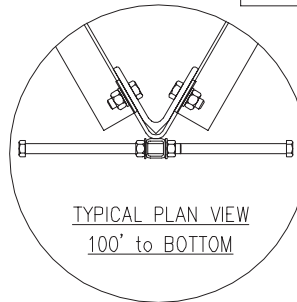
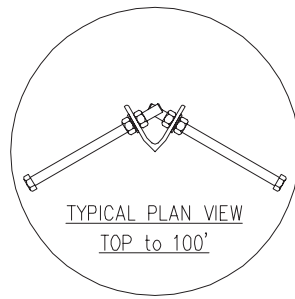
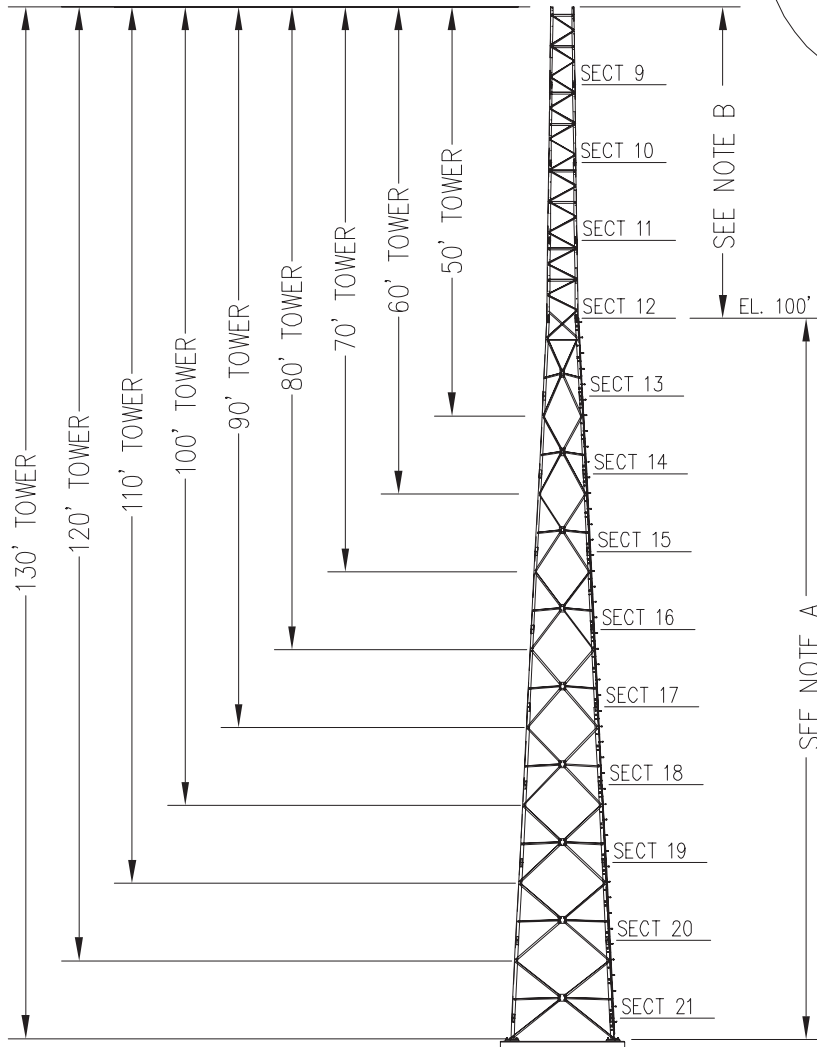
CONFIDENTIAL:
 ALL INTELLECTUAL PROPERTY RIGHTS HEREIN ARE THE PROPERTY OF
 TRYLON MANUFACTURING COMPANY LTD. ALL DUPLICATION,
 RECORDING, DISCLOSURE OR USE IS PROHIBITED WITHOUT WRITTEN
 CONSENT OF TRYLON MANUFACTURING COMPANY LTD.

A	MRH	JAG	ISSUED FOR DISTRIBUTION	22 JUL 05
REV.	REV. BY:	CHK. BY:	DESCRIPTION	DATE

NOTES:



CUSTOMER: STSS	SITE: S800 SERIES TOWER	SCALE: 300.000	
DATE: 19 NOV 04	BY: MAW	CHK: JAG	APP: JB
TITLE: CLIMBING STEP-PEG KITS		DRAWING NO. 000001.620.0115	



S900 STEP -PEG KITS	
TOWER HEIGHT	KIT NUMBER
130'	4.98.S900.130
120'	4.98.S900.120
110'	4.98.S900.110
100'	4.98.S900.100
90'	4.98.S900.090
80'	4.98.S900.080
70'	4.98.S900.070
60'	4.98.S900.060
50'	4.98.S900.050

NOTES:

- A. REFER TO DWG. 01.620.0100 FOR STEP PEG LADDER ASSEMBLY for 100' to BOTTOM.
- B. REFER TO DWG. 01.620.0041 FOR STEP PEG INSTALLATION FOR 100' to TOP.

- 1) SECTIONS 9-12 UTILIZE STEP-PEGS THAT SIMPLY SCREW INTO PRE-PUNCHED 11/16" HOLES IN THE TOWER LEGS.
- 2) SECTIONS 13-21 UTILIZE STEP-PEG LADDER SECTIONS WHICH CLAMP ONTO THE TOWER LEG AT 2 POINTS.
- 3) THE VERY BOTTOM UTILIZES AN 18" LONG BASE STEP PEG LADDER THAT CLAMPS ONTO THE BASE FOOT WELDMENT.

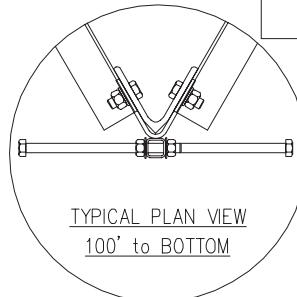
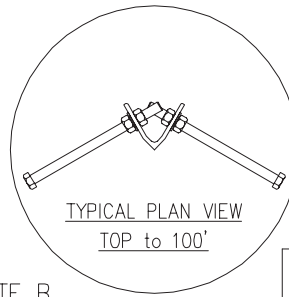
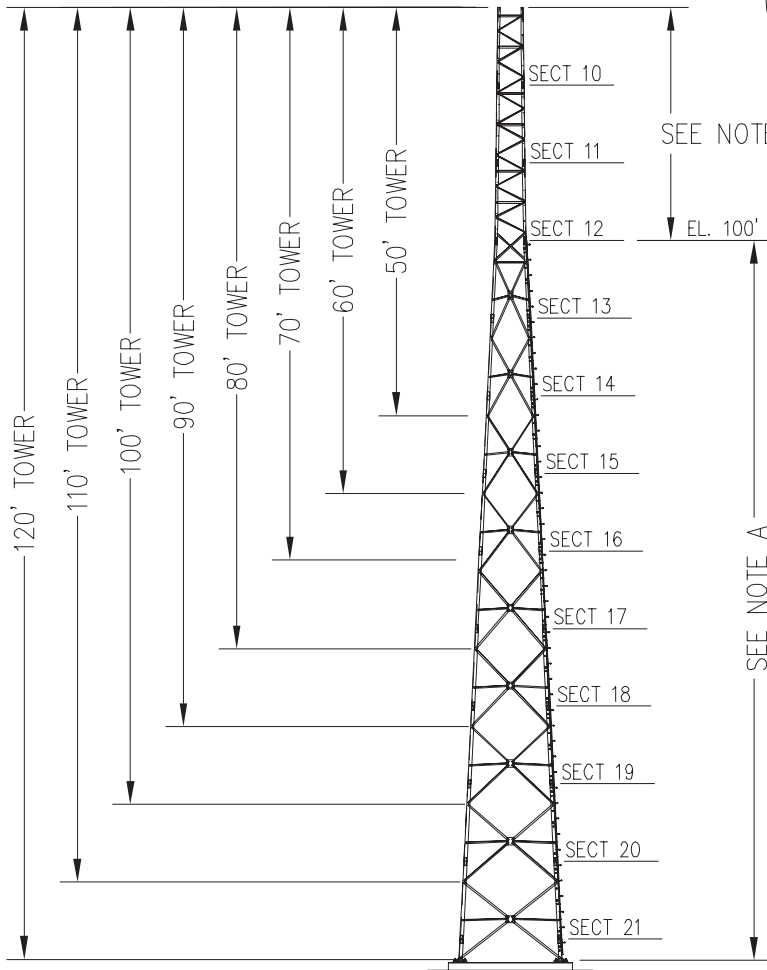
CONFIDENTIAL:
 ALL INTELLECTUAL PROPERTY RIGHTS HEREIN ARE THE PROPERTY OF TRYLON MANUFACTURING COMPANY LTD. ALL DUPLICATION, RECORDING, DISCLOSURE OR USE IS PROHIBITED WITHOUT WRITTEN CONSENT OF TRYLON MANUFACTURING COMPANY LTD.

A	MRH	JAG	ISSUED FOR DISTRIBUTION	22 JUL 05
REV.	REV. BY:	CHK. BY:	DESCRIPTION	DATE

NOTES:



CUSTOMER: STSS	SITE: S900 SERIES TOWER	SCALE: 300.000	
DATE: 19 NOV 04	BY: MAW	CHK: JAG	APP: JB
TITLE: CLIMBING STEP-PEG KITS		DRAWING NO. 000001.620.0116	



S1000 STEP -PEG KITS	
TOWER HEIGHT	KIT NUMBER
120'	4.98.1000.120
110'	4.98.1000.110
100'	4.98.1000.100
90'	4.98.1000.090
80'	4.98.1000.080
70'	4.98.1000.070
60'	4.98.1000.060
50'	4.98.1000.050

NOTES:

- A. REFER TO DWG. 01.620.0100 FOR STEP PEG LADDER ASSEMBLY for 100' to BOTTOM.
- B. REFER TO DWG. 01.620.0041 FOR STEP PEG INSTALLATION FOR 100' to TOP.

- 1) SECTIONS 10-12 UTILIZE STEP-PEGS THAT SIMPLY SCREW INTO PRE-PUNCHED 11/16" HOLES IN THE TOWER LEGS.
- 2) SECTIONS 13-21 UTILIZE STEP-PEG LADDER SECTIONS WHICH CLAMP ONTO THE TOWER LEG AT 2 POINTS.
- 3) THE VERY BOTTOM UTILIZES AN 18" LONG BASE STEP PEG LADDER THAT CLAMPS ONTO THE BASE FOOT WELDMENT.

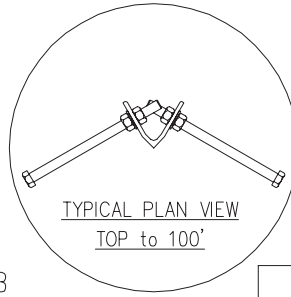
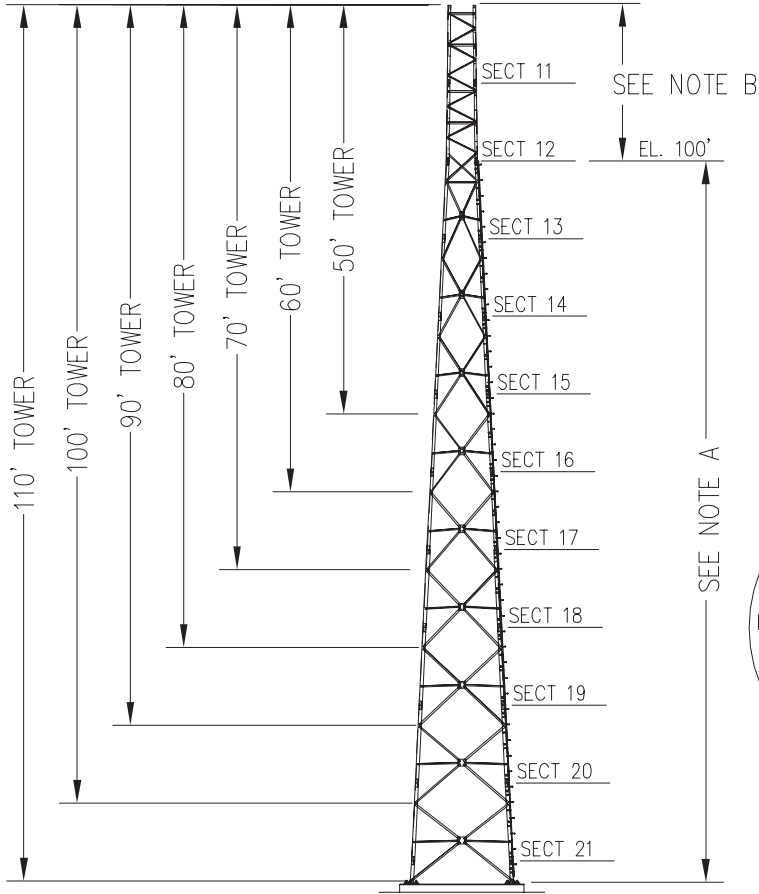
CONFIDENTIAL:
 ALL INTELLECTUAL PROPERTY RIGHTS HEREIN ARE THE PROPERTY OF TRYLON MANUFACTURING COMPANY LTD. ALL DUPLICATION, RECORDING, DISCLOSURE OR USE IS PROHIBITED WITHOUT WRITTEN CONSENT OF TRYLON MANUFACTURING COMPANY LTD.

A	MRH	JAG	ISSUED FOR DISTRIBUTION	22 JUL 05
REV.	REV. BY:	CHK. BY:	DESCRIPTION	DATE

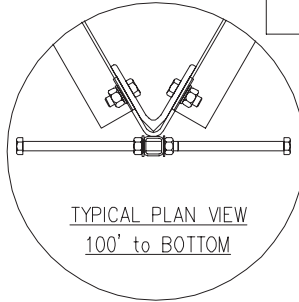
NOTES:



CUSTOMER: STSS	SITE: S1000 SERIES TOWER	SCALE: 300.000	
DATE: 19 NOV 04	BY: MAW	CHK: JAG	APP: JB
TITLE: CLIMBING STEP-PEG KITS		DRAWING NO. 000001.620.0117	



S1100 STEP –PEG KITS	
TOWER HEIGHT	KIT NUMBER
110'	4.98.1100.110
100'	4.98.1100.100
90'	4.98.1100.090
80'	4.98.1100.080
70'	4.98.1100.070
60'	4.98.1100.060
50'	4.98.1100.050



NOTES:

- A. REFER TO DWG. 01.620.0100 FOR STEP PEG LADDER ASSEMBLY for 100' to BOTTOM.
- B. REFER TO DWG. 01.620.0041 FOR STEP PEG INSTALLATION FOR 100' to TOP.

- 1) SECTIONS 11–12 UTILIZE STEP–PEGS THAT SIMPLY SCREW INTO PRE–PUNCHED 11/16” HOLES IN THE TOWER LEGS.
- 2) SECTIONS 13–21 UTILIZE STEP–PEG LADDER SECTIONS WHICH CLAMP ONTO THE TOWER LEG AT 2 POINTS.
- 3) THE VERY BOTTOM UTILIZES AN 18” LONG BASE STEP PEG LADDER THAT CLAMPS ONTO THE BASE FOOT WELDMENT.

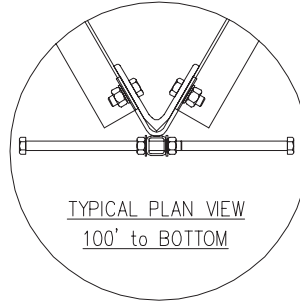
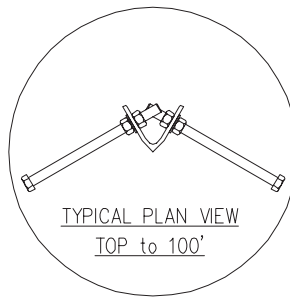
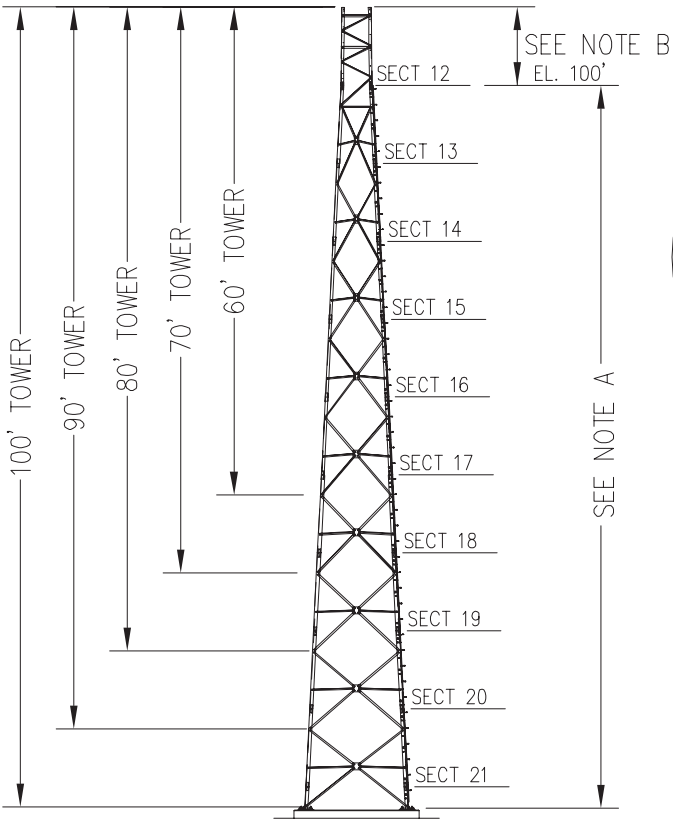
CONFIDENTIAL:
ALL INTELLECTUAL PROPERTY RIGHTS HEREIN ARE THE PROPERTY OF TRYLON MANUFACTURING COMPANY LTD. ALL DUPLICATION, RECORDING, DISCLOSURE OR USE IS PROHIBITED WITHOUT WRITTEN CONSENT OF TRYLON MANUFACTURING COMPANY LTD.

REV. A	REV. BY: MRH	CHK. BY: JAG	DESCRIPTION: ISSUED FOR DISTRIBUTION	DATE: 22 JUL 05
--------	--------------	--------------	--------------------------------------	-----------------

NOTES:



CUSTOMER: STSS	SITE: S1100 SERIES TOWER	SCALE: 300.000
DATE: 19 NOV 04	BY: MAW	CHK: JAG
TITLE: CLIMBING STEP–PEG KITS		APP: JB
		DRAWING NO. 000001.620.0118



S1200 STEP –PEG KITS	
TOWER HEIGHT	KIT NUMBER
100'	4.98.1200.100
90'	4.98.1200.090
80'	4.98.1200.080
70'	4.98.1200.070
60'	4.98.1200.060

NOTES:

- A. REFER TO DWG. 01.620.0100 FOR STEP PEG LADDER ASSEMBLY for 100' to BOTTOM.
- B. REFER TO DWG. 01.620.0041 FOR STEP PEG INSTALLATION FOR 100' to TOP.

- 1) SECTIONS 12 UTILIZE STEP-PEGS THAT SIMPLY SCREW INTO PRE-PUNCHED 11/16" HOLES IN THE TOWER LEGS.
- 2) SECTIONS 13-21 UTILIZE STEP-PEG LADDER SECTIONS WHICH CLAMP ONTO THE TOWER LEG AT 2 POINTS.
- 3) THE VERY BOTTOM UTILIZES AN 18" LONG BASE STEP PEG LADDER THAT CLAMPS ONTO THE BASE FOOT WELDMENT.

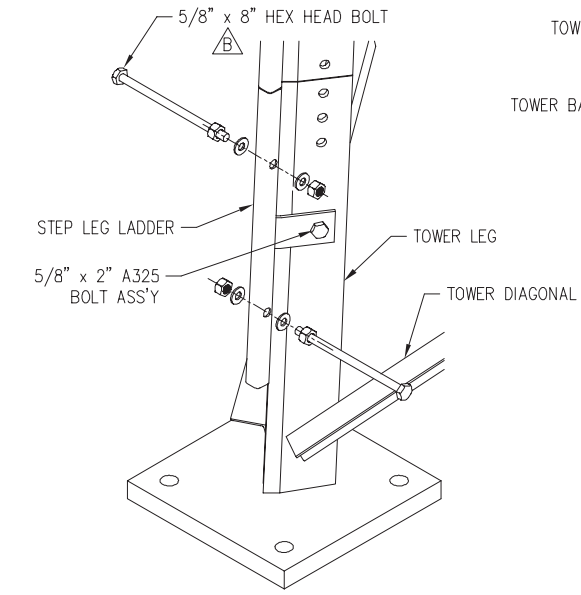
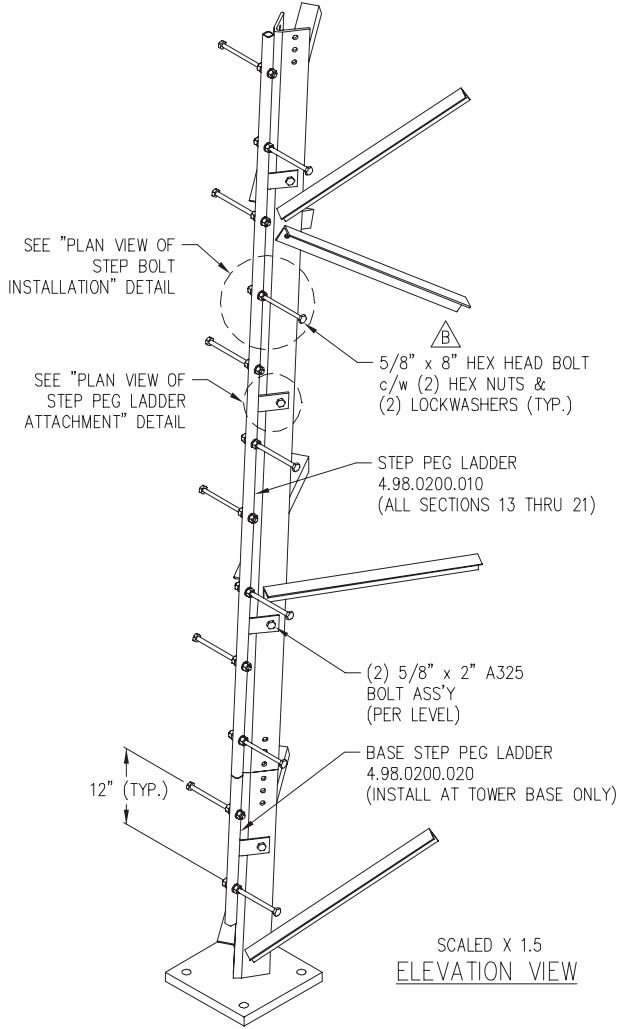
CONFIDENTIAL:
 ALL INTELLECTUAL PROPERTY RIGHTS HEREIN ARE THE PROPERTY OF TRYLON MANUFACTURING COMPANY LTD. ALL DUPLICATION, RECORDING, DISCLOSURE OR USE IS PROHIBITED WITHOUT WRITTEN CONSENT OF TRYLON MANUFACTURING COMPANY LTD.

REV.	REV. BY:	CHK. BY:	DESCRIPTION	DATE
A	MRH	JAG	ISSUED FOR DISTRIBUTION	22 JUL 05

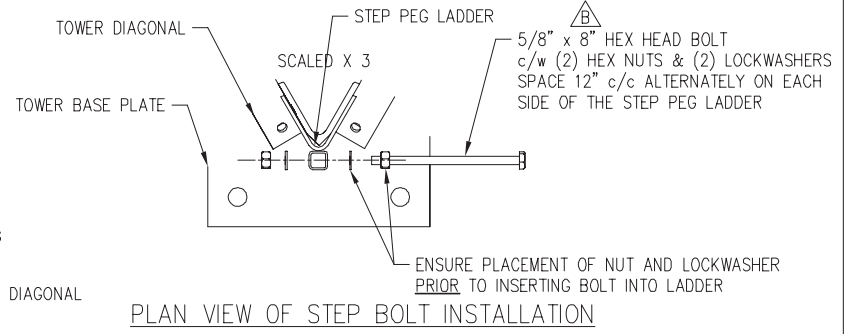
NOTES:



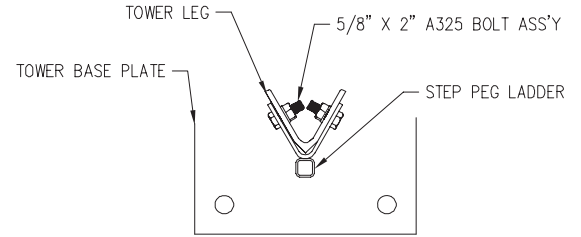
CUSTOMER: STSS	SITE: S1200 SERIES TOWER	SCALE: 300.000
DATE: 19 NOV 04	BY: MAW	CHK: JAG
TITLE: CLIMBING STEP-PEG KITS		APP: JB
		DRAWING NO. 000001.620.0119



CLOSE-UP OF STEP BOLT AND TOWER CONNECTION



PLAN VIEW OF STEP BOLT INSTALLATION



PLAN VIEW OF STEP PEG LADDER ATTACHMENT

NOTES:
 1. A STEP PEG LADDER IS AN ALTERNATIVE CLIMBING OPTION TO A STANDARD APEX CLIMBING LADDER. THE ADVANTAGES ARE: REDUCED WIND LOAD AND LOWER COST.
 2. USE THIS KIT ONLY FOR SUPER TITAN SECTIONS 13 THRU 21.
 3. FOR INSTALLATION OF SECTION 1-12HD SEE DWG 000001.620.0041.

KIT NUMBERS:
 4.98.0200.010 - STANDARD 10' STEP PEG LADDER
 4.98.0200.020 - BASE STEP PEG LADDER

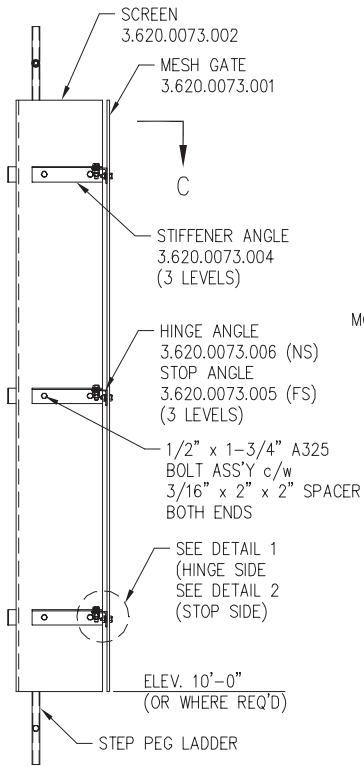
4.98.0200.010		4.98.0200.020	
DESCRIPTION	QTY	DESCRIPTION	QTY
3.620.0070.001	1	3.620.0071.001	1
5/8" x 2" A325 BOLT	7	5/8" x 2" A325 BOLT	3
5/8" x 8" HEX HEAD BOLT	10	5/8" x 8" HEX HEAD BOLT	2
5/8" HEX NUT	20	5/8" HEX NUT	4
5/8" LOCKWASHER	20	5/8" LOCKWASHER	4
3/4" SEALS ZINC COATED	4	3/4" SEALS ZINC COATED	2

CONFIDENTIAL: ALL INTELLECTUAL PROPERTY RIGHTS HEREIN ARE THE PROPERTY OF TRYLON MANUFACTURING COMPANY LTD. ALL DUPLICATION, RECORDING, DISCLOSURE OR USE IS PROHIBITED WITHOUT WRITTEN CONSENT OF TRYLON MANUFACTURING COMPANY LTD.

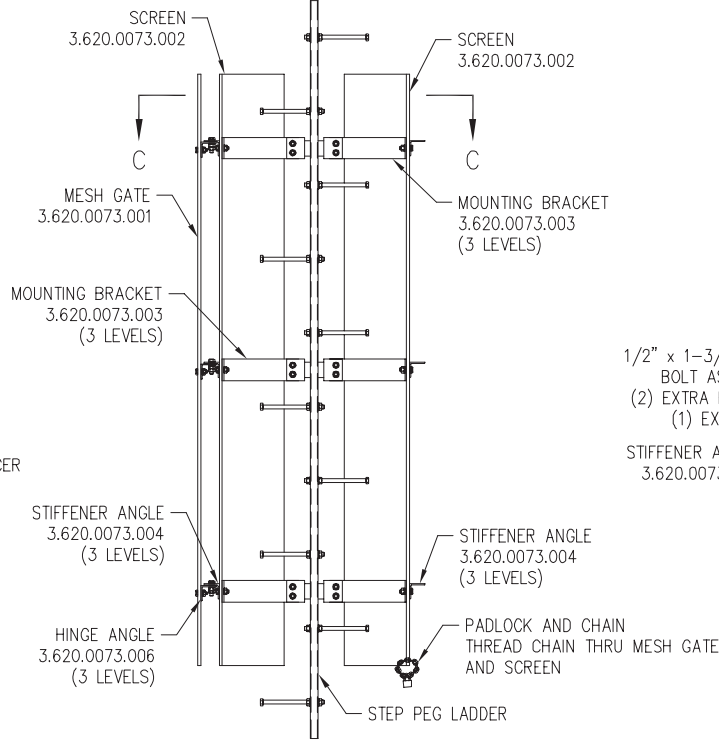


B	MRH	TLD	CHANGED BOLT TO 8" LG.	24 JAN 06
A	MRH	JAG	UPDATED SHOWN VIEWS	2 SEP 05
REV.	REV. BY:	CHK. BY:	DESCRIPTION	DATE

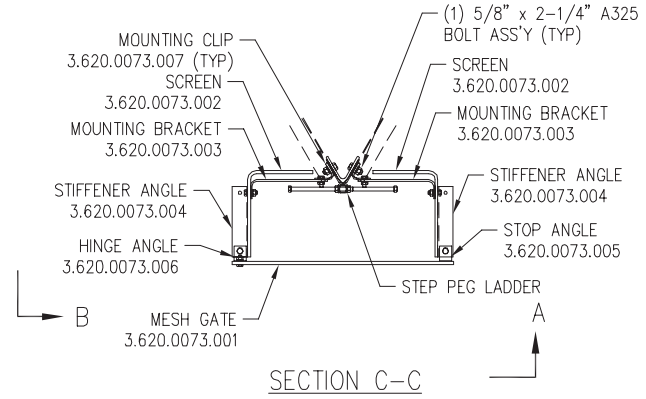
		CUSTOMER:	SITE:	SCALE:
		SUPERTITAN S.S.		25.000
DATE:	BY:	CHK:	APP:	
05 JUL 04	MAW	JAG	JB	
TITLE:			DRAWING NO.	
STEP PEG LADDER ASSEMBLY			000001.620.0100	



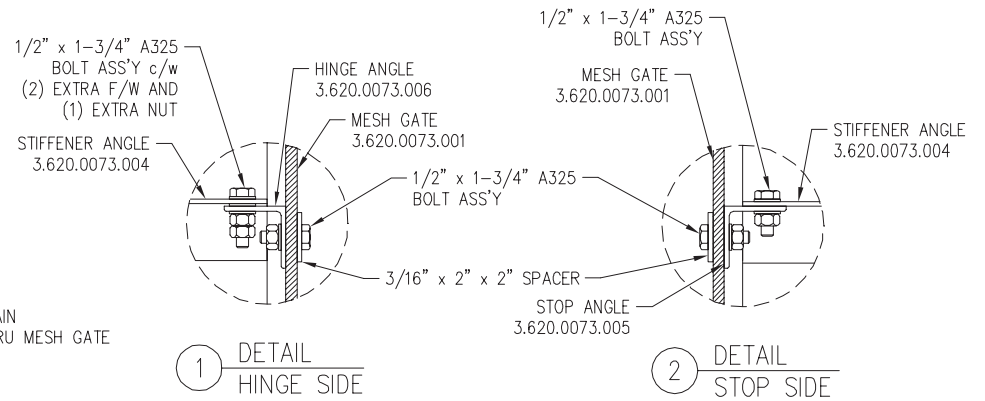
SECTION B-B



SECTION A-A
(MESH GATE SHOWN OPEN)



SECTION C-C



- NOTES: 1. ALL BOLTS ARE 1/2" x 1-1/2" A325 ASSEMBLIES UNLESS NOTED.
 2. THIS ANTI CLIMB KIT IS UTILIZED ONLY ON THE LEG WITH STEP PEG OR CLIMBING LADDER TO PREVENT UNAUTHORIZED CLIMBING.
 3. THIS KIT IS USED ONLY ON STSS SECTIONS 13 THRU 21.

KIT #4.92.0001.213

CONFIDENTIAL: ALL INTELLECTUAL PROPERTY RIGHTS HEREIN ARE THE PROPERTY OF TRYLON MANUFACTURING COMPANY LTD. ALL DUPLICATION, RECORDING, DISCLOSURE OR USE IS PROHIBITED WITHOUT WRITTEN CONSENT OF TRYLON MANUFACTURING COMPANY LTD.



CUSTOMER:		SITE:		SCALE:	
		SUPERTITAN S.S.		20,000	
DATE:	BY:	CHK:	APP:		
05 JUL 04	MAW	JAG	JB		
TITLE:			DRAWING NO.		
ANTI CLIMB MESH ASSEMBLY			000001.620.0099		

REV.	REV. BY:	CHK. BY:	DESCRIPTION	DATE



ISO 9001: 2000 Registered

21 SOUTH FIELD DRIVE
P.O. BOX 186
ELMIRA, ON
N3B 2Z6
CANADA

TEL: (519) 669-5421
FAX: (519) 669-4187
WEBSITE: www.trylon.com
E-MAIL: info@trylon.com